

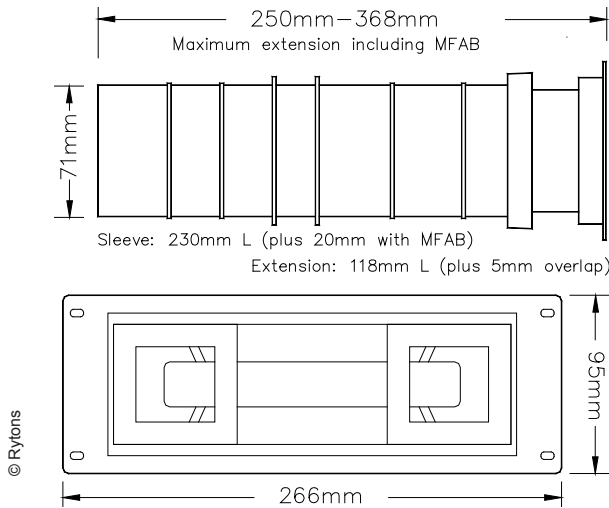
Technical Data Sheet

Rytons '9x3' Cowled Acoustic AirLiner® Set with Flush Louvre Ventilator (39 dB) (Sound, Light and Draught Reducing)

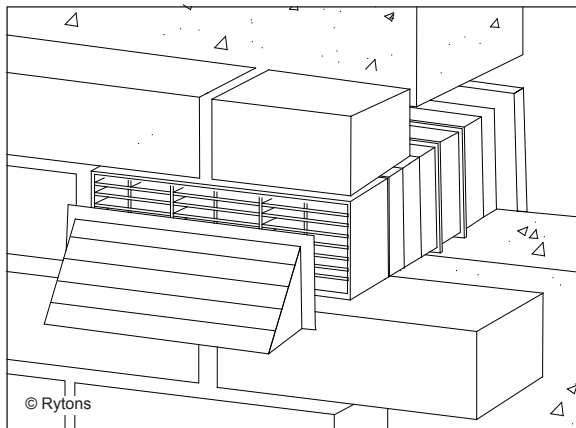
www.vents.co.uk (search code: TAL4CWL)

May 2010

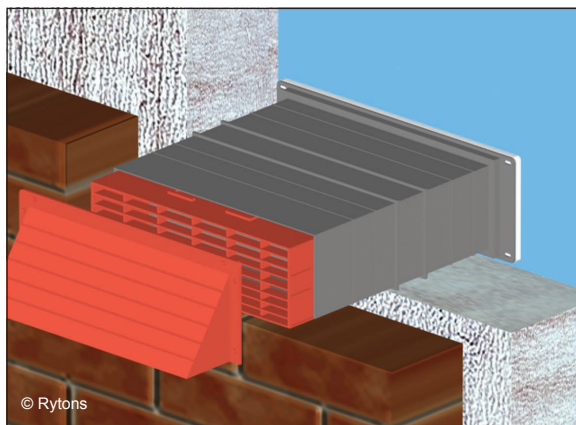
Dimensional Drawing (Rytons TAL4000)



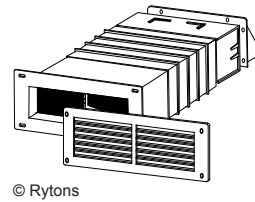
In-Situ Line Drawing



In-Situ Line Drawing



Approvals and Testing



Main Uses, Features and Benefits

- Combustion air vent for heat producing appliances.
- Room or compartment ventilator.
- Acoustic lining reduces sound to 39 dB $D_{n,e,w}$
- $D_{n,e,w}$ figure calculated by the BRE in accordance with BS EN ISO 717-1:1997.
- HETAS approved for use with solid fuel appliances.
- Equivalent area calculated by Advantica at 15 Pa to BS 5440-2:2000.
- Cowl and internal baffle reduce light and draughts.
- Finished with fixed open flush fitting louvre ventilator.
- Set contains Rytons Cowl '9x3' (ABC3), Rytons Multifix® Air Brick (MFAB), Rytons '9x3' Acoustic AirLiner® (TAL4000) and Rytons Flush Fitting Louvre Ventilator '9x3' (LF80).
- U.V. stabilised cowl, air brick and louvre ventilator to protect against deterioration by sunlight.



F30 Accessories/Sundry Items for Brick/Block/Stone Walling

Specification clauses 17, 171

U90 General Ventilation - Domestic

Specification clauses 30, 34, 310, 340

Product Specification Code	$D_{n,e,w}$	Equivalent Area
Rytons TAL4CWL	39 dB	2580mm ² (25.8cm ²) (3¾"²)

Size

ABC3: 255mm (L) x 96mm (H) x 44mm (D).

MFAB & TAL4000: 220mm (W) x 71mm (H).

Extends from 250mm to 368mm (L) with Multifix® Air Brick fitted.

LF80: 270mm (L) x 97mm (H).

Gas Appliances

Suitable for an open-flued gas appliance installed in a room or internal space with a gross rated input up to 12kW.

Solid Fuel Appliances

(e.g. Stoves, Range Cookers or Independent Boilers)

Closed appliance without a draught stabiliser fitted - suitable up to 9kW.

Closed appliance with a draught stabiliser fitted - suitable up to 6kW.

Technical Data Sheet

www.vents.co.uk (search code: TAL4CWL)

May 2010

Rytons '9x3' Cowled Acoustic AirLiner® Set with Flush Louvre Ventilator (39 dB) (Sound, Light and Draught Reducing)

Colour Key



Photo Library



Colours

ABC3: Buff/sand, terracotta.
MFAB: Buff/sand, terracotta.
TAL4000: Black.
LF80: White.

Specification Paragraph

Manufacturer: Rytons Building Products Ltd
T: 01536 511874, F: 01536 310455, E: admin@rytons.com
Visit our website at www.vents.co.uk
Product ref:

- Rytons '9x3' Cowled Acoustic AirLiner® Set with Flush Louvre Ventilator (39dB) Buff/Sand (ref TAL4BSCWL to BBA 94/3071)
- Rytons '9x3' Cowled Acoustic AirLiner® Set with Flush Louvre Ventilator (39dB) Terracotta (ref TAL4TCCWL to BBA 94/3071)
- Rytons '9x3' Cowled Acoustic AirLiner® Set with Flush Louvre Ventilator (39dB) White (ref TAL4WHCWL to BBA 94/3071)

Type: Acoustic Telescopic Liner with Cowl, Multifix® Air Brick and Flush Louvre
Equivalent Area: 2580mm² (Advantica tested)

Installation

No special fixing required. Build in cavity liner with fitted air brick as work proceeds. Extend telescopic sleeve as necessary. Fasten cowl to the brickwork through the pre-formed holes in the flange around the cowl. Fasten louvre ventilator into the flange of the AirLiner®.

BBA Approval

Rytons has 73 British Board of Agrément approved products; the largest range on the market. BBA certification is third party evaluation and accreditation, and approved products are accepted by building control officers, architects, engineers and surveyors nationwide. The NHBC also accept products approved by the BBA when used as stated in the relevant BBA certificate. Rytons also has an Irish Building Regulation Statement for each of their three BBA certificates.

HETAS Approval

HETAS is the official body recognised by the government to approve solid fuel domestic heating appliances, fuels and services. Rytons is the only ventilation manufacturer to have solid fuel appliance ventilators approved by HETAS and is the only ventilation manufacturer recommended by HETAS to their registered engineers.

Extra Features and Benefits

Individually boxed sets for easy identification, handling and efficient installation.

Cowl prevents infiltration of wind driven rain and snow and alleviates air blasts through the cavity which may cause discomfort in a room.

Air brick louvres promote unrestricted air flow and reduce risk of blockage as well as keeping large insects out. Also features built-in water baffles to prevent water penetration.

External AirLiner® baffles prevent water transfer across the cavity.

Extra slim profile of the flush fitting louvre gives a neat internal appearance.

Flush fitting louvre embossed with DO NOT BLOCK.

Technical Data Sheet

www.vents.co.uk (search code: TAL4CWL)

Rytons '9x3' Cowled Acoustic AirLiner® Set with Flush Louvre Ventilator (39 dB) (Sound, Light and Draught Reducing)

May 2010

Rytons TAL4CWL Converted Octave Band Values	
63 Hz	35 dB
125 Hz	43.2 dB
250 Hz	42.8 dB
500 Hz	37.1 dB
1000 Hz	37.8 dB
2000 Hz	40.9 dB
4000 Hz	49 dB

All figures are reproduced in good faith and to the best of our knowledge are true and accurate. Customers should satisfy themselves that the product is suitable for the intended purpose by using this information in conjunction with the BRE acoustic test report available online at www.vents.co.uk and from Rytons sales office.

A bit about the BRE

The Building Research Establishment Ltd is a respected independent testing authority. BRE Acoustics holds UKAS accreditation for the measurement of sound insulation in the field and the laboratory. The measurements were conducted using the procedures accredited by UKAS.

A bit about Advantica

Advantica Technologies, previously known as British Gas Technologies and now GL Industrial Services, developed the dynamic test procedure for calculating the equivalent area of a ventilator. Advantica testing gives installers, suppliers and homeowners the assurance that the air space is **accurate** and **verifiable**.

UK Regulations, Standards and Guidelines

Measurement of airborne sound insulation made by the BRE in accordance with BS EN 20140-10:1992 and BS EN ISO 140-3:1995. Single number quantities were calculated in accordance with BS EN ISO 717-1:1997 'Rating of sound insulation in buildings and of building elements'.

For heat producing appliances (including solid fuel) refer to:

The Building Regulations 2000, Approved Document J.
The Building (Scotland) Regulations 2005, Mandatory Standard 3.21.
The Building Regulations (Northern Ireland) 2000, Technical Booklet L.
British Standard BS 5440-2:2009.

For decorative fuel effect gas fires refer to:

British Standard BS 5871-3:2005.

The Building Regulations 2000, Approved Document J

1.16 In noisy areas, it may be necessary to install proprietary noise attenuated ventilators to limit the entry of noise into the building.

Handling Information

Box quantity: 1 set.
Box size: 32cm (W) x 10.5cm (H) x 29cm (D).
Box weight: 0.67kg.

Questions

Is a copy of the BRE test report available?

Yes, online at www.vents.co.uk or from Rytons sales office.

Will installing more than one vent to achieve a greater equivalent area have an effect on the acoustic performance?

Yes, by installing two vents anywhere in a room the combined performance of both vents would be reduced by 3dB. Installing four vents would give a reduction of 6dB.

What can I use to extend the AirLiner® further?

It is possible to use Rytons '9x3' Non-Telescopic AirLiner® (TCL8LNR) as an extension, refer to technical data sheet TCL8LNR. It is recommended that all joints be sealed with an appropriate tape.

Will the vent reduce sound from inside to outside as well as from outside to inside?

The BRE has advised us that it's reasonable to assume that 'reciprocity' applies to the vents. That is, the third octave values for sound reduction index are the same in both directions (out to in and in to out).



Please recycle printouts where facilities exist.

