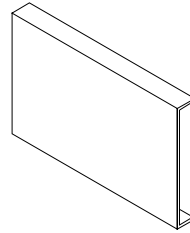
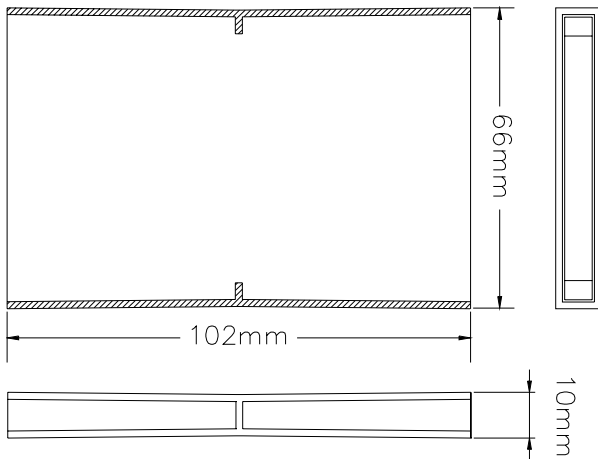


## Technical Data Sheet

### Rytons Slim Vent® Minor

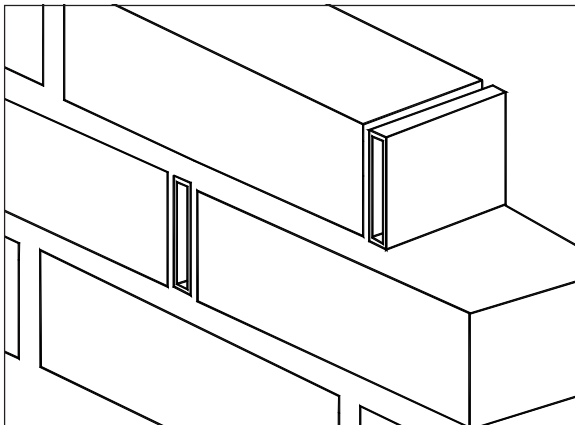
#### Dimensional Drawing



#### Main Uses, Features and Benefits

- The ORIGINAL cavity ventilator.
- Use in timber frame and traditional build.
- An effective weep hole.
- Internal baffles prevent water transfer.
- No special fixing or brickwork required.

#### In-Situ Line Drawing



F30 Accessories/Sundry Items for Brick/Block/Stone Walling  
Specification Clauses 08, 132, 175

#### Product Specification Code

Rytons SVMIN.

#### Size

102mm (L) x 66mm (H) x 10mm (W).

(Allows 6mm venting gap).

R14 AutoCAD drawing available by e-mail.

#### Free Area

330mm<sup>2</sup> per unit.

#### Composition

High impact polystyrene.

#### Colours

Grey, black, buff/sand, terracotta, white, clear.

#### Specification Paragraph

Manufacturer:

Rytons Building Products Ltd Tel: 01536 511874 Fax: 01536 310455

Email: admin@rytons.com Web: www.vents.co.uk (updated regularly)

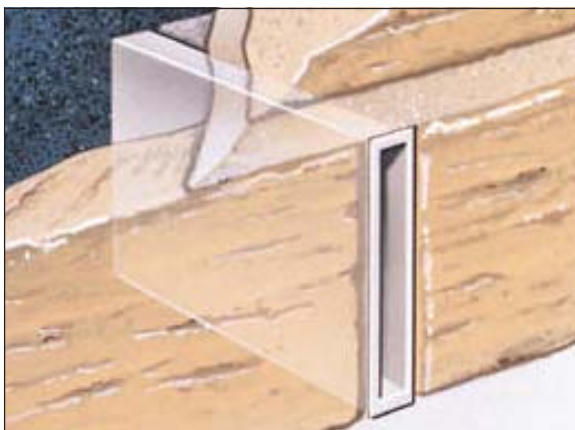
Product ref:

- Rytons Slim Vent® Minor Grey (ref SVMINGR to BBA 89/2321)
- Rytons Slim Vent® Minor Black (ref SVMINBL to BBA 89/2321)
- Rytons Slim Vent® Minor Buff/Sand (ref SVMINBS to BBA 89/2321)
- Rytons Slim Vent® Minor Terracotta (ref SVMINTC to BBA 89/2321)
- Rytons Slim Vent® Minor White (ref SVMINWH to BBA 89/2321)
- Rytons Slim Vent® Minor Clear (ref SVMINCL to BBA 89/2321)

#### Installation

Installation is fast and easy as work proceeds with the Slim Vent® replacing the vertical mortar joint. Space approximately every third brick at the top and bottom of the wall to ventilate the cavity and assist in the drying out of the wall. Lower ventilators should be placed below the dpc. Where cavity trays are used position above the tray. Vertically stagger vents when placing them above and below horizontal fire stops. **Rytons Slim Vents® are also effective weep holes.**

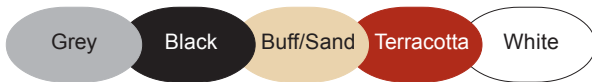
#### In-Situ Drawing



## Technical Data Sheet

### Rytons Slim Vent® Minor

#### Colour Key



#### Photo Library



#### On Site

Open perpend can be uneven and unsightly.



Rytons Slim Vents® give your building an improved appearance and extra 'kerb appeal'.



#### BBA Approval

Rytons has 73 British Board of Agrément approved products; the largest range on the market. BBA certification is third party evaluation and accreditation, and approved products are accepted by building control officers, architects, engineers and surveyors nationwide. The NHBC also accept products approved by the BBA when used as stated in the relevant BBA certificate. Rytons also has an Irish Building Regulation Statement for each of their three BBA certificates.

#### UK Regulations, Standards and Guidelines

##### NHBC Standards 2006

**6.2 - D4 (c)** Ventilation openings should be equivalent to open brick perpend every 1.5m (i.e. 650mm<sup>2</sup> free air every 1.5m).

##### The Building (Scotland) Regulations

**3.10.6 (2006)** Where the outer leaf is a masonry construction, cavities should be vented to the outside air by installing ventilators with at least 300mm<sup>2</sup> free opening area at 1.2m maximum centres. Precipitation, i.e. rain, snow and sleet, can penetrate the outer leaf of an external wall and cavities are normally drained through weep holes. These weep holes can also provide the necessary venting. **Note: Rytons Slim Vents® are also effective weep holes.**

##### British Standards

British Standard BS 5250:2002.

##### Important Note

BBA, NHBC, BSI & Zurich confirm Slim Vents® **DO NOT** require insect screens.

##### Handling Information

Box quantity: 100 number.

Box size: 26cm (W) x 22.5cm (H) x 15cm (D).

Box weight: 2.2kg.

#### Be Aware!

The spacing of Rytons Slim Vent® Minor is achievable due to its high free air space. Please be aware that most weep/vents do not offer the same high level of ventilation and spacing should be reduced to accommodate the extra vents required.

#### Questions

##### Do Rytons Slim Vents® require flyscreens?

Under current legislation Slim Vents® **DO NOT** require insect screens. However if it is felt absolutely necessary to have an insect screened cavity ventilator a flyscreened version of Rytons Slim Vent® Minor is available, refer to technical data sheet SVFMIN.



Please recycle printouts where facilities exist.