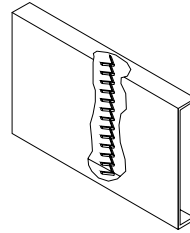
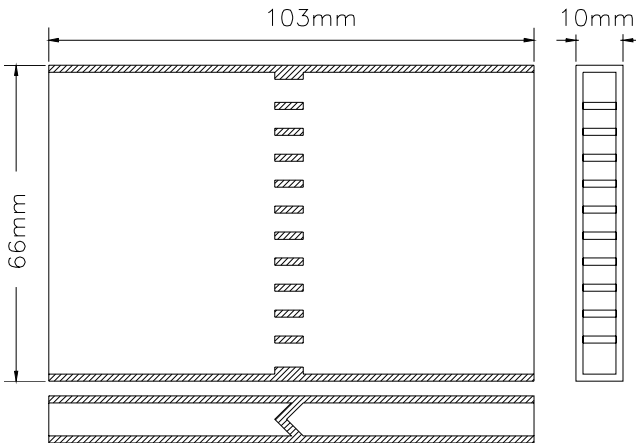


Technical Data Sheet

Rytons Flyscreened Slim Vent® Minor

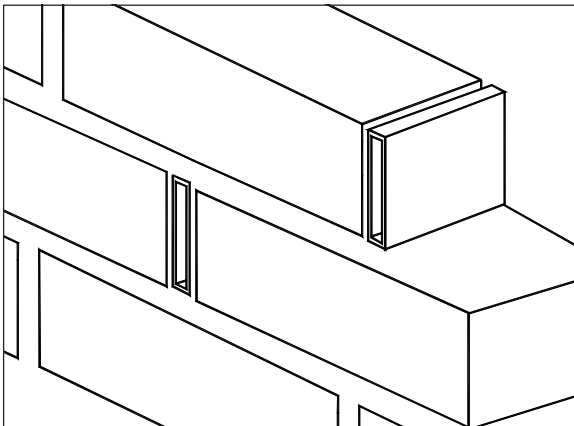
Dimensional Drawing



Main Uses, Features and Benefits

- Flyscreened cavity ventilator.
- Use in timber frame and traditional build.
- An effective weep hole.
- Internal baffles prevent water transfer.
- No special fixing or brickwork required.

In-Situ Line Drawing



F30 Accessories/Sundry Items for Brick/Block/Stone Walling
Specification Clauses 08, 132, 175

Product Specification Code

Rytons SVFMIN.

Size

103mm (L) x 66mm (H) x 10mm (W).

(Allows 6mm venting gap).

R14 AutoCAD drawing available by e-mail.

Free Area

220mm² per unit.

Composition

High impact polystyrene.

Colours

Grey, black, buff/sand, terracotta, white, clear.

Specification Paragraph

Manufacturer:

Rytons Building Products Ltd Tel: 01536 511874 Fax: 01536 310455

Email: admin@rytons.com Web: www.vents.co.uk (updated regularly)

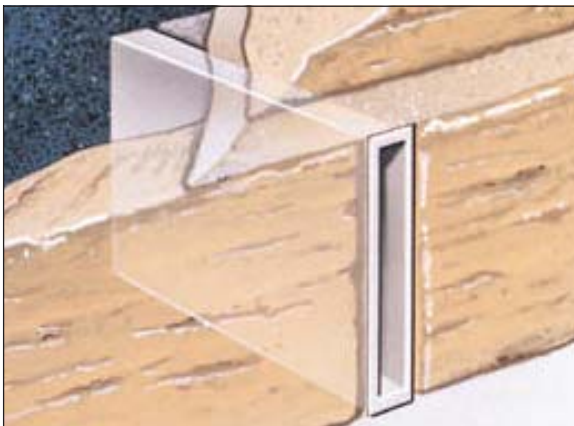
Product ref:

- Rytons Flyscreened Slim Vent® Minor Grey (ref SVFMINGR to BBA 89/2321)
- Rytons Flyscreened Slim Vent® Minor Black (ref SVFMINBL to BBA 89/2321)
- Rytons Flyscreened Slim Vent® Minor Buff/Sand (ref SVFMINBS BBA 89/2321)
- Rytons Flyscreened Slim Vent® Minor Terracotta (ref SVFMINTC BBA 89/2321)
- Rytons Flyscreened Slim Vent® Minor White (ref SVFMINWH to BBA 89/2321)
- Rytons Flyscreened Slim Vent® Minor Clear (ref SVFMINCL to BBA 89/2321)

Installation

Installation is fast and easy as work proceeds with the Slim Vent® replacing the vertical mortar joint. Space approximately every second brick at the top and bottom of the wall to ventilate the cavity and assist in the drying out of the wall. Lower ventilators should be placed below the dpc. Where cavity trays are used position above the tray. Vertically stagger vents when placing them above and below horizontal fire stops. **Rytons Slim Vents® are also effective weep holes.**

In-Situ Drawing



Technical Data Sheet

Rytons Flyscreened Slim Vent® Minor

Colour Key

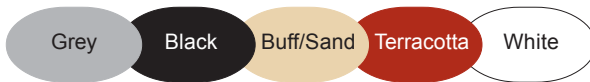
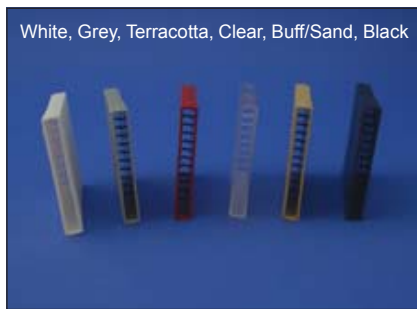


Photo Library



On Site

Open perpend can be uneven and unsightly.



Rytons Slim Vents® give your building an improved appearance and extra 'kerb appeal'.



BBA Approval

Rytons has 73 British Board of Agrément approved products; the largest range on the market. BBA certification is third party evaluation and accreditation, and approved products are accepted by building control officers, architects, engineers and surveyors nationwide. The NHBC also accept products approved by the BBA when used as stated in the relevant BBA certificate. Rytons also has an Irish Building Regulation Statement for each of their three BBA certificates.

UK Regulations, Standards and Guidelines

NHBC Standards 2006

6.2 - D4 (c) Ventilation openings should be equivalent to open brick perpend every 1.5m (i.e. 650mm² free air every 1.5m).

The Building (Scotland) Regulations

3.10.6 (2006) Where the outer leaf is a masonry construction, cavities should be vented to the outside air by installing ventilators with at least 300mm² free opening area at 1.2m maximum centres. Precipitation, i.e. rain, snow and sleet, can penetrate the outer leaf of an external wall and cavities are normally drained through weep holes. These weep holes can also provide the necessary venting. **Note: Rytons Slim Vents® are also effective weep holes.**

British Standards

British Standard BS 5250:2002.

Handling Information

Box quantity: 100 number.

Box size: 26cm (W) x 22.5cm (H) x 15cm (D).

Box weight: 2.2kg.



Please recycle printouts where facilities exist.