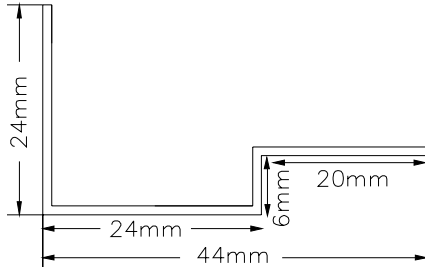


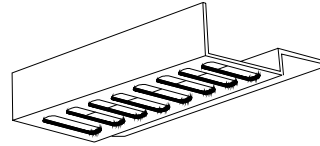
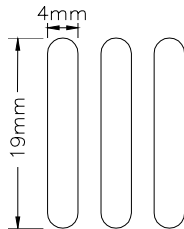
Technical Data Sheet

Rytons Ventilated Soffite Strip

Dimensional Drawing



Ventilation Slots



Irish Reg. Stat.

Main Uses, Features and Benefits

- Continuous soffit strip.
- Suits any thickness of soffit board.
- Fixing holes in high upstand for secure installation.
- 4mm ventilation slots promote unrestricted air flow.
- Use with Rytons RRV250 or TV range.



G20 Carpentry/Timber Framing/First Fixing
Specification Clause 900

Product Specification Code

Rytons SS240.

Size

2440mm (L) x 44mm (W) x 24mm (H).

R14 AutoCAD drawing available by e-mail.

Free Area

25294mm² per length (10366mm² per metre).

Equal to a Continuous Opening

10mm wide.

Composition

Rigid uPVC.

Colours

White, dark brown.

Specification Paragraph

Manufacturer:

Rytons Building Products Ltd Tel: 01536 511874 Fax: 01536 310455

Email: admin@rytons.com Web: www.vents.co.uk (updated regularly)

Product ref:

- Rytons Ventilated Soffite Strip White (ref SS240WH to BBA 94/3070)

- Rytons Ventilated Soffite Strip Dark Brown (ref SS240BR to BBA 94/3070)

Type: Continuous soffit strip

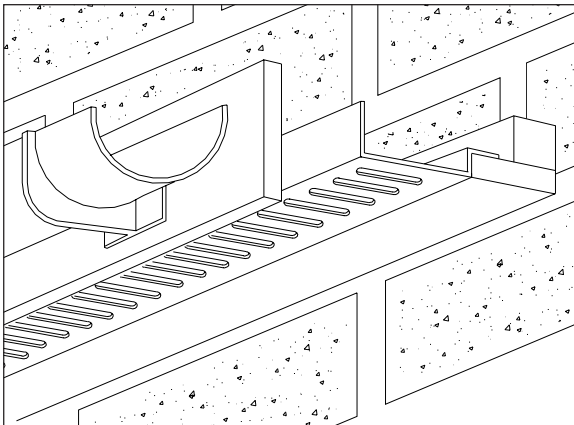
Installation

Fix to the fascia board through the pre-formed holes in the back upstand. Locate soffit board under the lip of the ventilator. Recommended for use with Rytons Roof Ventilators (TV600, TV6005D), Rytons Refurbishment Ventilator (RV600) or Rytons Rafter Roll Ventilator (RRV250). Consideration should be given to using Rytons EavesGuard® (EG920) to prevent felt rot.

BBA Approval

Rytons has 73 British Board of Agrément approved products; the largest range on the market. BBA certification is third party evaluation and accreditation, and approved products are accepted by building control officers, architects, engineers and surveyors nationwide. The NHBC also accept products approved by the BBA when used as stated in the relevant BBA certificate. Rytons also has an Irish Building Regulation Statement for each of their three BBA certificates.

In-Situ Line Drawing



In-Situ Drawing



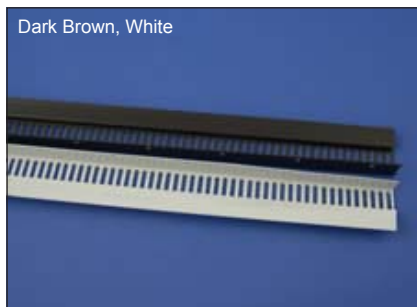
Technical Data Sheet

Rytons Ventilated Soffite Strip

Colour Key



Photo Library



UK Regulations, Standards and Guidelines

British Standard BS 5250:2002 (amended 23 December 2005)

8.4.2.2.3.2 The openings should be equivalent in area to a continuous opening of not less than:

- 25mm x length at eaves for pitches of 15° or less.
- 10mm x length at eaves for pitches of more than 15°.

8.4.2.2.3.3 Additional ventilation openings, equivalent in area to a continuous opening of 5mm, should be provided at high level in:

- roofs where the pitch exceeds 35°.
- roofs of any pitch with a span greater than 10m.
- lean-to and mono-pitch roofs.

8.4.2.2.3.4 Ensure that:

- all airpaths between the insulation and the underlay, including those provided by proprietary eaves ventilation products, are at least 25mm deep, irrespective of opening size.
- ventilation openings are not blocked by insulation material, dust, airborne debris, paint or frost.
- entry of birds and large insects is prevented; to achieve that, and to avoid excessive airflow resistance, a normal mesh/grille size of 4mm is recommended.

The Building Regulations 2000, Approved Document C 2004 edition.

The Building (Scotland) Regulations 2004, Mandatory Standard 3.15.

The Building Regulations (Northern Ireland) 2000.

NHBC Standards 2006 7.2 - S11 (a).

Zurich Building Guarantee Solid Foundation Manual.

A roof will meet the requirements if it is designed and constructed in accordance with Clause 8.4 of BS 5250:2002.

Handling Information

Pack quantity: 20 lengths.

Pack size: 244cm (L) x 6cm (H) x 9cm (D).

Pack weight: 8kg.

Questions

Does the vent have a flymesh?

All Rytons soffit vents feature 4mm wide ventilation slots, which form a barrier against birds and large insects. The addition of a smaller gauge mesh would dramatically increase the risk of blockage by airborne debris affecting the performance of the vent.



Please recycle printouts where facilities exist.