

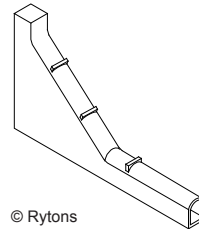
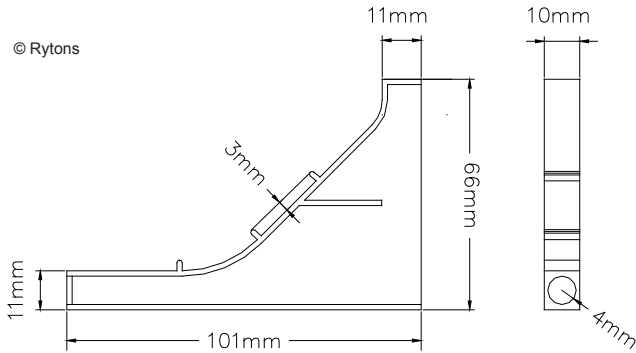
## Technical Data Sheet

### Rytons Rytweep®

[www.vents.co.uk](http://www.vents.co.uk) (search code: RYTWEEP)

April 2010

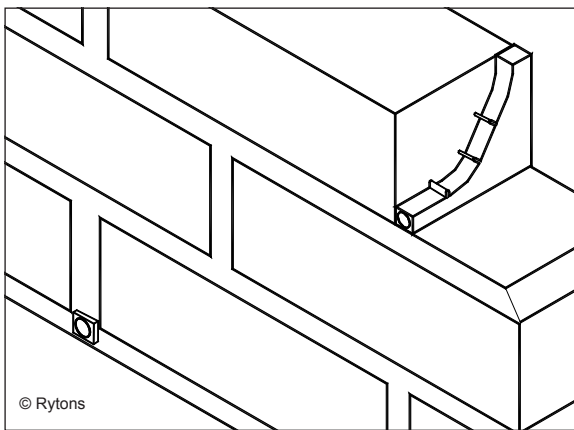
#### Dimensional Drawing



#### Approvals and Testing



#### In-Situ Line Drawing



#### Main Uses, Features and Benefits

- Unobtrusive cavity weep hole.
- Virtually unseen when installed; shows only small weep outlet.
- Lugs aid mortar adhesion.
- Quickly and easily fitted.



F30 Accessories/Sundry Items for Brick/Block/Stone Walling  
Specification Clauses 8, 132

Product Specification Code	Free Area
Rytons RYTWEEP	Not applicable

#### Size

101mm (L) x 66mm (H) x 10mm (W).  
AutoCAD drawing available by email.

#### Composition

High impact polystyrene.

#### Colours

Buff/sand, terracotta, grey, clear.

#### Specification Paragraph

Manufacturer: Rytons Building Products Ltd

T: 01536 511874, F: 01536 310455, E: admin@rytons.com

Visit our website at [www.vents.co.uk](http://www.vents.co.uk)

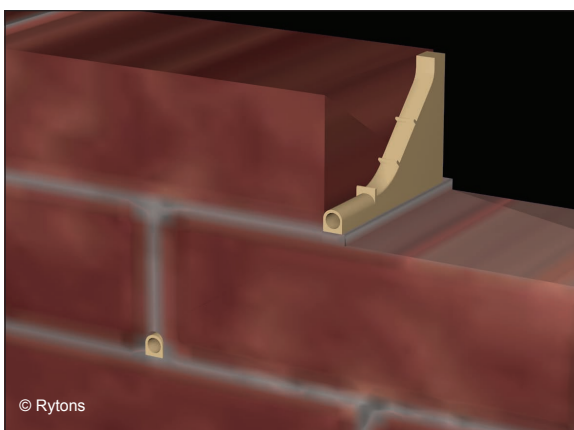
Product ref:

- Rytons Rytweep® Buff/Sand (ref RYTWEBS to BBA 89/2321)
- Rytons Rytweep® Terracotta (ref RYTWETC to BBA 89/2321)
- Rytons Rytweep® Grey (ref RYTWEGR to BBA 89/2321)
- Rytons Rytweep® Clear (ref RYTWEECL to BBA 89/2321)

#### Installation

Installation is fast and easy as work proceeds with a Rytweep® replacing the vertical mortar joint. Position bottom of Rytweep® on mortar bed against brick/block. Ensure tapered end with circular hole is facing the outside and is flush with the external face. Mortar in the Rytweep® until only the small weep outlet is visible (ensuring the outlet does not become blocked). Position next brick/block alongside installed Rytweep®. Space every fourth brick to drain cavities above and below the dpc and above lintels and cavity trays.

#### In-Situ Drawing



#### Colour Key



## Technical Data Sheet

### Rytons Rytweep®

[www.vents.co.uk](http://www.vents.co.uk) (search code: RYTWEEP)

April 2010

#### Photo Library



#### On Site

Suitable for brick and stone walling



#### Questions

**Is the Rytweep® suitable for exposed areas and wind driven rain?**

Yes, but you may also wish to consider Rytons Weep Hole Duct (WHD) which has a profiled front face.

#### BBA Approval

Rytons has 73 British Board of Agrément approved products; the largest range on the market. BBA certification is third party evaluation and accreditation, and approved products are accepted by building control officers, architects, engineers and surveyors nationwide. The NHBC also accept products approved by the BBA when used as stated in the relevant BBA certificate. Rytons also has an Irish Building Regulation Statement for each of their three BBA certificates.

#### UK Regulations, Standards and Guidelines

##### BS 8215:1991

##### NHBC Standards 2010

**6.1 - D6 (b)** Where fairfaced masonry is supported by lintels weep holes should be provided at 450mm (maximum) centres with at least two weep holes per opening.

**Weep holes in rendered walls - NHBC Technical Newsletter April 2005 (Issue 32)** If the outer leaf of a masonry wall is fully rendered then weep holes over cavity trays may be omitted. However, if the render stops short of the top of a wall and has a fair faced masonry panel above it then weep holes should be provided over the cavity trays within both the fair faced and the rendered section of the wall.

*The NHBC also recommend that any wall that supports ground should be drained to relieve water pressure.*

##### The Building Regulations 2000, Approved Document C 2004 edition

##### Internal and external walls (moisture from the ground)

**5.5 (b)** If the wall is an external wall, the damp-proof course should be at least 150mm above the level of the adjoining ground.

**5.5 (c)** If the wall is an external cavity wall provide weep holes every 900mm to assist in the transfer of moisture through the external leaf. Where the damp-proof tray does not extend the full length of the exposed wall, i.e. above an opening, stop ends and at least two weep holes should be provided.

##### Zurich Building Guarantee Solid Foundation Technical Manual 2007

**External walls - masonry** Weep holes to be installed at not more than 900mm centres to drain water from cavity trays and from the concrete infill at ground level. When the wall is to be cavity filled, it is advisable to reduce this spacing. At least two weepholes to be provided to drain cavity trays above openings.

**External walls - timber frame** In moderate, severe and very severe exposure situations weepholes should be provided to external masonry above all lintels and cavity trays.

#### Handling Information

Box quantity: 50 number or 200 number.

Box size: 50 number 28cm (W) x 11cm (H) x 14.5cm (D),

200 number 27cm (W) x 28cm (H) x 18cm (D).

Box weight: 50 number 50gms, 200 number 2kg.



Please recycle printouts where facilities exist.



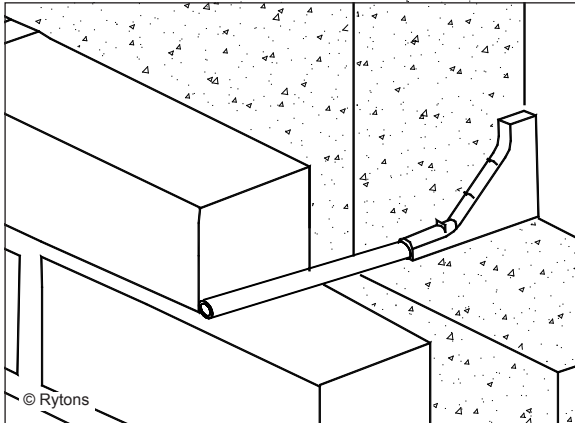
## Technical Data Sheet

### Rytons Rytweep®

[www.vents.co.uk](http://www.vents.co.uk) (search code: RYTWEEP)

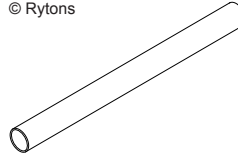
April 2010

#### In-Situ Line Drawing (Rytons Rytweep® with Tube)



#### Rytons Rytweep® Tube

© Rytons



##### Main Uses, Features and Benefits

- Extension for blockwork and rendered walls.
- Push fit into Rytons RYTWEEP.
- Easily cut to length.

Product Specification Code	Free Area
Rytons RYTWTUBE	Not applicable

##### Main Uses, Features and Benefits

- Extension for blockwork and rendered walls.
- Push fit into Rytons RYTWEEP.
- Easily cut to length.

##### Size

500mm (L) x 6mm (Internal Dia.) x 8mm (External Dia.).

##### Composition

High quality plastic.

##### Colours

Clear.

##### Installation

Cut tube to length required and insert into external weep outlet. Install whole unit as directed in Rytweep® installation instructions.

#### Photo Library

Rytons Rytweep® Clear with Rytweep® Tube



Please recycle printouts where facilities exist.

