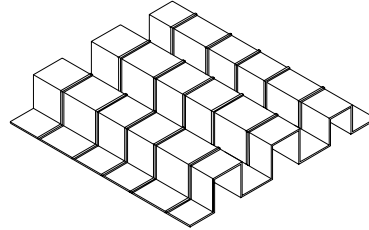
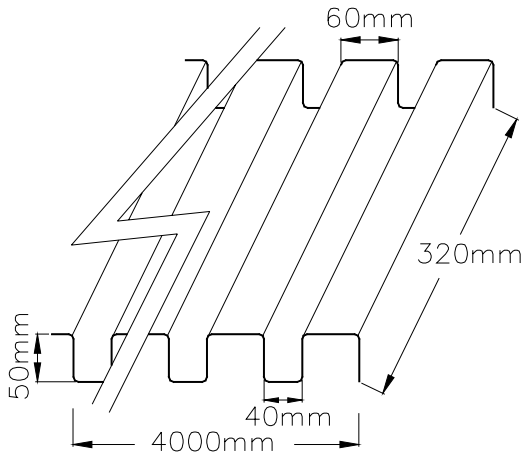


Technical Data Sheet

Rytons Rafter Roll Ventilator

Dimensional Drawing



Irish Reg. Stat.

Main Uses, Features and Benefits

- Roll out roof ventilator.
- Maintains the path of air into the roof void.
- Suits any roof pitch or rafter spacing.
- Use with Rytons soffit, over fascia or T-Strip ventilators.

H60 Plain Roof Tiling

Specification Clause 355

H61 Fibre Cement Slating

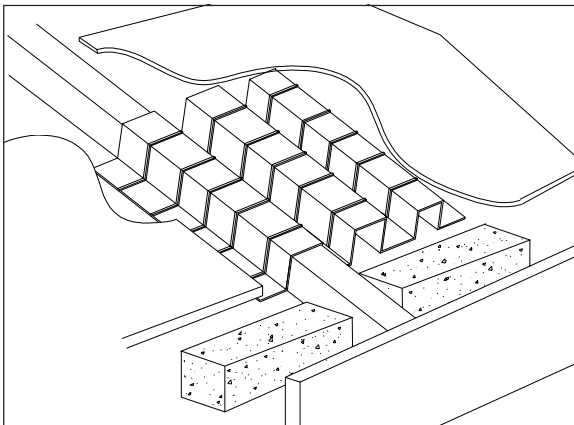
H62 Natural Slating

H65 Single Lap Roof Tiling

Specification Clauses 47, 355



In-Situ Line Drawing



Product Specification Code

Rytons RRV250.

Size

4000mm (L) x 320mm (D) x 50mm (H).

R14 AutoCAD drawing available by e-mail.

Free Area

100000mm² per length (25000mm² per metre).

Equal to a Continuous Opening

10mm wide and 25mm wide.

Composition

High impact polystyrene.

Colours

Black.

Specification Paragraph

Manufacturer:

Rytons Building Products Ltd Tel: 01536 511874 Fax: 01536 310455

Email: admin@rytons.com Web: www.vents.co.uk (updated regularly)

Product ref: Rytons Rafter Roll Ventilator Black (ref RRV250 to BBA 94/3070)

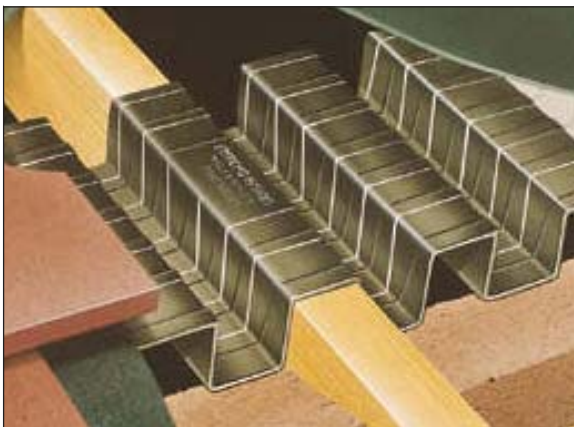
Installation

Secure at one end, roll out and pin to intermediate rafters. Recommended for use with any of Rytons soffit ventilators, over fascia ventilators or T-Strips. Consideration should be given to using Rytons EavesGuard® (EG920) to prevent felt rot.

Tip for Installing on 40mm Rafters/Trusses

Turn Rytons Rafter Roll Ventilator (RRV250) upside down and it will accurately fit 40mm rafters/trusses.

In-Situ Drawing



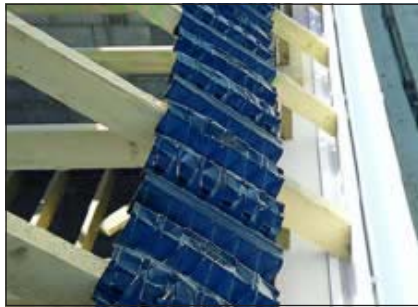
Technical Data Sheet

Rytons Rafter Roll Ventilator

Photo Library



On Site



BBA Approval

Rytons has 73 British Board of Agrément approved products; the largest range on the market. BBA certification is third party evaluation and accreditation, and approved products are accepted by building control officers, architects, engineers and surveyors nationwide. The NHBC also accept products approved by the BBA when used as stated in the relevant BBA certificate. Rytons also has an Irish Building Regulation Statement for each of their three BBA certificates.

UK Regulations, Standards and Guidelines

British Standard BS 5250:2002 (amended 23 December 2005)

8.4.2.2.3.2 The openings should be equivalent in area to a continuous opening of not less than:

- a) 25mm x length at eaves for pitches of 15° or less.
- b) 10mm x length at eaves for pitches of more than 15°.

8.4.2.2.3.3 Additional ventilation openings, equivalent in area to a continuous opening of 5mm, should be provided at high level in:

- a) roofs where the pitch exceeds 35°.
- b) roofs of any pitch with a span greater than 10m.
- c) lean-to and mono-pitch roofs.

8.4.2.2.3.4 Ensure that:

- a) all airpaths between the insulation and the underlay, including those provided by proprietary eaves ventilation products, are at least 25mm deep, irrespective of opening size.
- b) ventilation openings are not blocked by insulation material, dust, airborne debris, paint or frost.
- d) entry of birds and large insects is prevented; to achieve that, and to avoid excessive airflow resistance, a normal mesh/grille size of 4mm is recommended.

The Building Regulations 2000, Approved Document C 2004 edition.

The Building (Scotland) Regulations 2004, Mandatory Standard 3.15.

The Building Regulations (Northern Ireland) 2000.

NHBC Standards 2006 7.2 - S11 (a).

Zurich Building Guarantee Solid Foundation Manual.

A roof will meet the requirements if it is designed and constructed in accordance with Clause 8.4 of BS 5250:2002.

Handling Information

Box quantity: 10 rolls.

Box size: 48cm (W) x 32cm (H) x 32cm (D).

Box weight: 5kg.



Please recycle printouts where facilities exist.