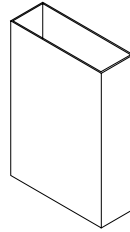
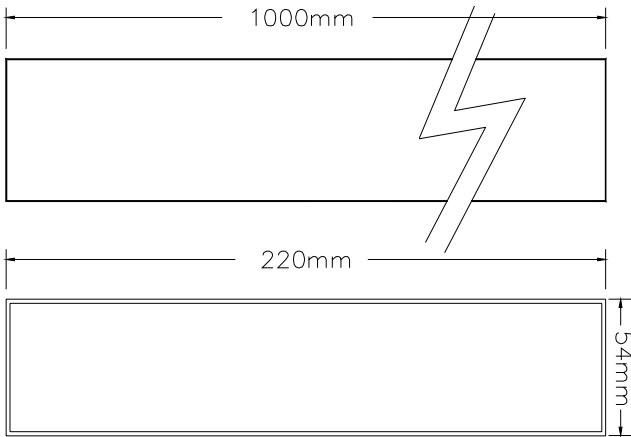


Technical Data Sheet

Rytons Periscope® Vertical Extension

Dimensional Drawing



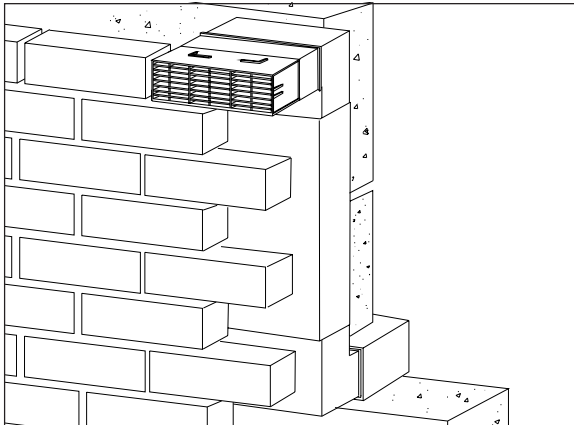
Main Uses, Features and Benefits

- Vertical extension for Rytons PUFV.
- Easily installed with no extra fitting required.
- May be cut to length.



F30 Accessories/Sundry Items for Brick/Block/Stone Walling
Specification Clauses 17, 171

In-Situ Line Drawing



Product Specification Code

Rytons PUFVEXT.

Size

1000mm (L) x 220mm (W) x 54mm (D).

R14 AutoCAD drawing available by e-mail.

Free Area

Not applicable.

Composition

High impact PVC.

Colours

Black.

Specification Paragraph

Manufacturer:

Rytons Building Products Ltd Tel: 01536 511874 Fax: 01536 310455

Email: admin@rytons.com Web: www.vents.co.uk (updated regularly)

Product ref: Rytons Periscope® Vertical Extension (ref PUFVEXT)

Installation

Cut Vertical Extension to required length. Locate the top and bottom sections of Rytons Periscope® Underfloor Ventilator (PUFV) into the extension sleeve. Build in whole unit as normal.

Handling Information

Box quantity: 10 lengths.

Box size: 103cm (W) x 45.5cm (H) x 29cm (D).

Box weight: 12.75kg.

Photo Library



Questions

How many sections is it possible to cut from a Rytons Periscope® Vertical Extension?

Based on standard brick and mortar sizes:

- 1 extra brick course - 5 sections from a 1m length max.
- 2 extra brick courses - 3 sections from a 1m length max.
- 3 extra brick courses - 2 sections from a 1m length max.
- 4 extra brick courses - 2 sections from a 1m length max.
- 5 extra brick courses - 2 sections from a 1m length max.

Please double check all calculations to your particular specification using the dimensional drawing on Rytons Periscope® technical data sheet.



Please recycle printouts where facilities exist.