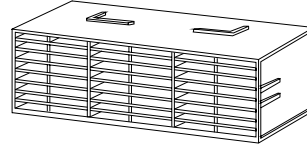
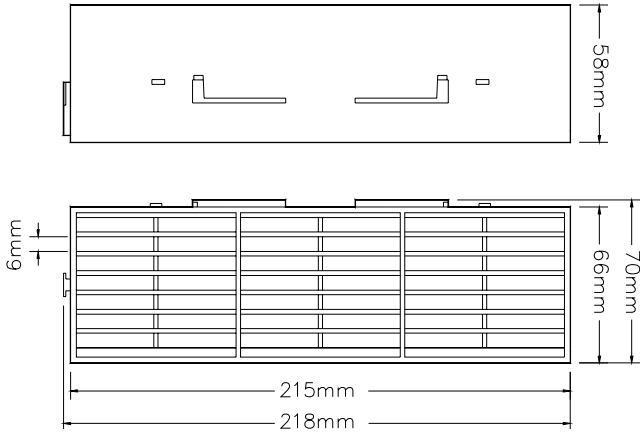


## Technical Data Sheet

### Rytons Multifix® Air Brick

#### Dimensional Drawing

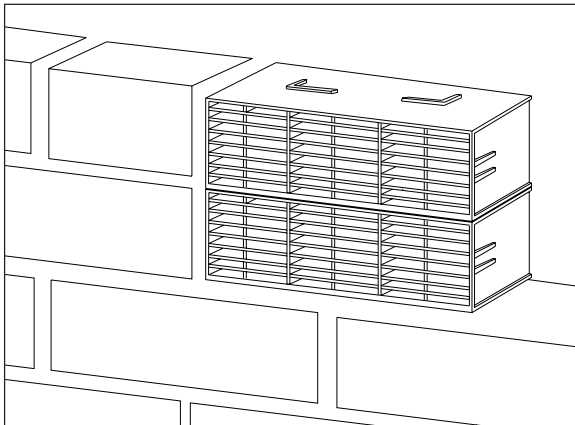


#### Main Uses, Features and Benefits

- Robust interlocking air brick.
- One size can form a unit '9x6', '9x9' etc.
- Textured finish maintains aesthetic appearance.
- Use with Rytons Periscope® Underfloor Ventilator and AirLiners®.
- U.V. stabilised against deterioration by sunlight.



#### In-Situ Line Drawing



F30 Accessories/Sundry Items for Brick/Block/Stone Walling  
Specification Clauses 15, 160

#### Product Specification Code

Rytons MFAB.

#### Size

215mm (L) x 66mm (H) x 58mm (D).

R14 AutoCAD drawing available by e-mail.

#### Free Area

7750mm<sup>2</sup> (77.5cm<sup>2</sup>) per unit.

#### Composition

U.V. stabilised polypropylene.

#### Colours

Grey, black, buff/sand, terracotta, white, brown, blue/black.

#### Specification Paragraph

Manufacturer:

Rytons Building Products Ltd Tel: 01536 511874 Fax: 01536 310455

Email: admin@rytons.com Web: www.vents.co.uk (updated regularly)

Product ref: Rytons Multifix® Air Brick (ref MFAB to BBA 89/2321)

Material/colour:

- Plastic Grey
- Plastic Black
- Plastic Buff/Sand
- Plastic Terracotta
- Plastic White
- Plastic Brown
- Plastic Blue/Black

#### Installation

No special fixing required. Installation is fast and easy with Rytons Multifix® Air Brick replacing a brick. Place at high and low levels. Vertically stagger above and below horizontal fire stops. Consideration should be given to using Rytons '9x3', '9x6' or '9x9' Cowls (ABC3, ABC6 or ABC9) in exposed areas.

#### In-Situ Drawing



#### Colour Key



## Technical Data Sheet

### Rytons Multifix® Air Brick

www.vents.co.uk **Cavity** section (search code: MFAB)

January 2008

#### Photo Library



#### On Site

Large choice of colours available so this mismatch could have been avoided.



Also works well with stonework.



#### BBA Approval

Rytons has 73 British Board of Agrément approved products; the largest range on the market. BBA certification is third party evaluation and accreditation, and approved products are accepted by building control officers, architects, engineers and surveyors nationwide. The NHBC also accept products approved by the BBA when used as stated in the relevant BBA certificate. Rytons also has an Irish Building Regulation Statement for each of their three BBA certificates.

#### UK Regulations, Standards and Guidelines

##### British Standard BS 493:1995

Recommends that for a louvre design air brick the size and shape of the apertures shall be such that a steel ball of 9.5mm nominal diameter shall not pass through.

#### Handling Information

Box quantity: 20 number.

Box size: 35cm (W) x 26cm (H) x 23cm (D).

Box weight: 2kg.

## Questions

#### Can the air bricks be painted?

As they are made from polypropylene it would only be possible to paint them if they had first been flame treated which is a specialist operation and should only be carried out by a specialist contractor.

#### Is colour matching available?

This product is available to order in non-standard colours, choosing from either a Rytons colour or supplying a RAL number. For further information ask about Rytons Colour Matching service.

#### What are the benefits of a Rytons Multifix® Air Brick over clay?

Rytons Multifix® Air Brick won't break as easily as clay.

Rytons Multifix® Air Brick has approximately five times more free air space and so can be used less often, saving you money.

Rytons Multifix® Air Brick has a greater choice of readily available colours.

#### Is Rytons Multifix® Air Brick affected by sunlight?

The durability of Rytons Multifix® Air Brick is largely due to its U.V. stabilising properties, which protect it from deterioration by sunlight. Please be aware not all air bricks offer this protection and will fade, detracting from the aesthetic appearance of the brickwork.

#### Is a single 9" x 6" air brick available?

Yes, refer to technical data sheet MFAB96.



Please recycle printouts where facilities exist.