

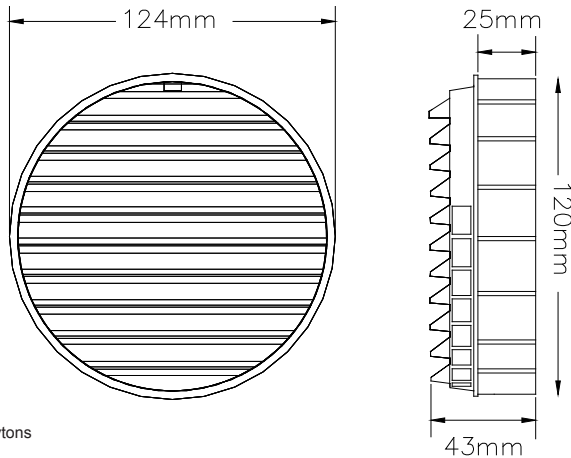
Technical Data Sheet

Rytons Round Louvre Ventilator

www.vents.co.uk (search code: LVR75)

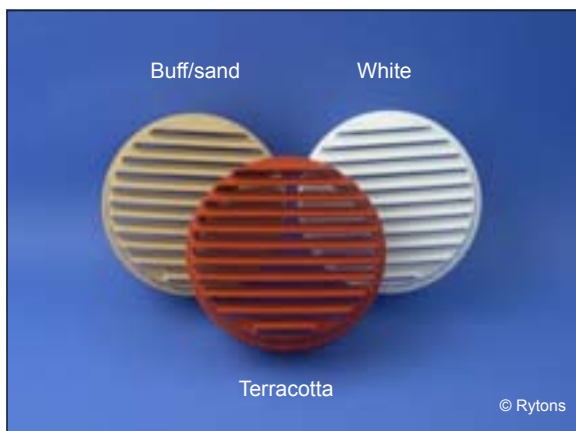
April 2010

Dimensional Drawing

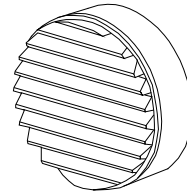


© Rytons

Photo Library



Colour Key



© Rytons

Approvals and Testing



Irish Reg. Stat.

Main Uses, Features and Benefits

- Round room and cupboard ventilator.
- Low profile fixed open louvres.
- High air flow.
- For internal and external use.
- U.V. stabilised to protect against deterioration by sunlight.



Product Specification Code	Free Area
Rytons LVR75	8000mm ² (80cm ²) (12¼"²) per unit

Size

124mm (Overall Dia.) 120mm (Internal Dia.) x 43mm (D) (including louvres).
AutoCAD drawing available by email.

Composition

U.V. stabilised polypropylene.

Colours

White, buff/sand, terracotta.

Specification Paragraph

Manufacturer: Rytons Building Products Ltd

T: 01536 511874, F: 01536 310455, E: admin@rytons.com

Visit our website at www.vents.co.uk

Product ref: Rytons Round Louvre Ventilator (ref LVR75 to BBA 94/3071)

Size: 124mm External Diameter, 120mm Internal Diameter

Colour: White, buff/sand, terracotta

Installation (from the outside)

Drill a 120mm diameter hole and push into position. Fasten with mastic or mortar if necessary.

BBA Approval

Rytons has 73 British Board of Agrément approved products; the largest range on the market. BBA certification is third party evaluation and accreditation, and approved products are accepted by building control officers, architects, engineers and surveyors nationwide. The NHBC also accept products approved by the BBA when used as stated in the relevant BBA certificate. Rytons also has an Irish Building Regulation Statement for each of their three BBA certificates.



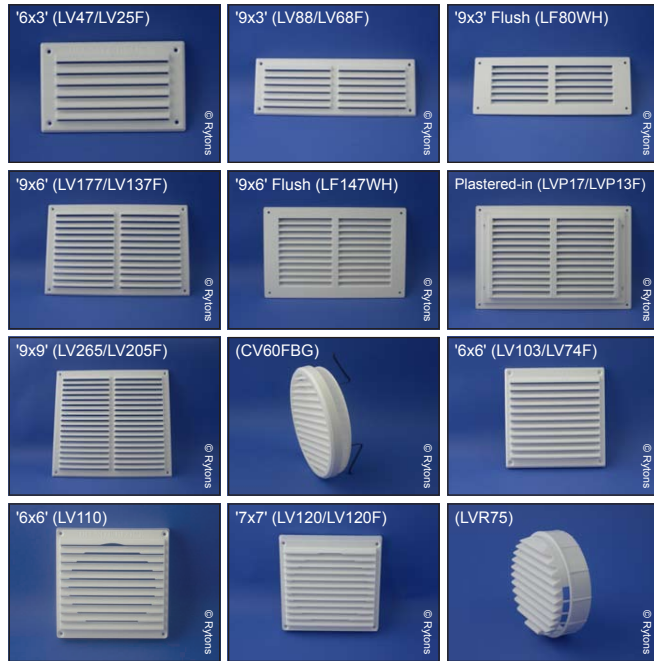
Technical Data Sheet

Rytons Round Louvre Ventilator

www.vents.co.uk (search code: LVR75)

April 2010

Sizes and Styles Available in Plastic



Can't find the size, colour or finish you require?
Talk to Rytons Sales Office about specials.

UK Regulations, Standards and Guidelines

For heat producing appliances (including solid fuel) refer to:

The Building Regulations 2000, Approved Document J.
The Building (Scotland) Regulations 2004, Mandatory Standard 3.21.
The Building Regulations (Northern Ireland) 2000, Technical Booklet L.
British Standard BS 5440-2:2000.

For decorative fuel effect gas fires refer to:

British Standard BS 5871-3:2005.

Handling Information

Weight: 0.037kg each.



Please recycle printouts where facilities exist.

