

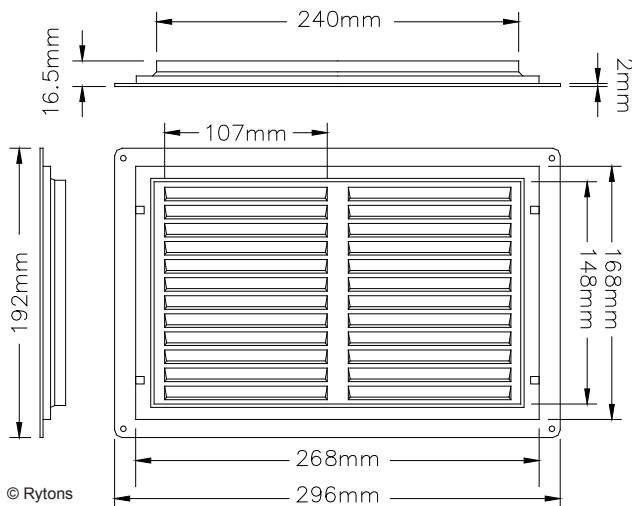
## Technical Data Sheet

### Rytons Plastered-in Louvre Ventilators

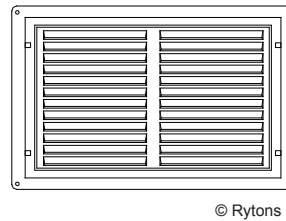
[www.vents.co.uk](http://www.vents.co.uk) (search codes: LVP17 and LVP13F)

April 2010

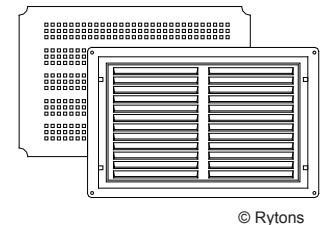
#### Dimensional Drawing



Rytons LVP17



Rytons LVP13F



#### Approvals and Testing



#### Main Uses, Features and Benefits

- Room ventilator.
- Available with and without a flyscreen.
- Inverted fixed open louvres.
- Plaster up to louvres for a flush finish.
- High air flow.
- Embossed with DO NOT BLOCK.
- Compatible with Rytons '9x6' AirLiners®.
- U.V. stabilised to protect against deterioration by sunlight.



**F30 Accessories/Sundry Items for Brick/Block/Stone Walling**  
Specification clauses 16, 165  
**055Plus U90 General Ventilation - Domestic**  
Specification clauses 36, 38, 61, 360, 380, 505, 510

Product Specification Code	Free Area
Rytons LVP17	17808mm <sup>2</sup> (178.08cm <sup>2</sup> ) (27½"²) per unit
Rytons LVP13F - Flyscreened	13300mm <sup>2</sup> (133cm <sup>2</sup> ) (20½"²) per unit

#### Size

296mm (L) x 192mm (H).

AutoCAD drawing available by email.

#### Composition

U.V. stabilised high impact polystyrene.

#### Colours

LVP17: White.

LVP13F: White (white flyscreen).

#### Photo Library



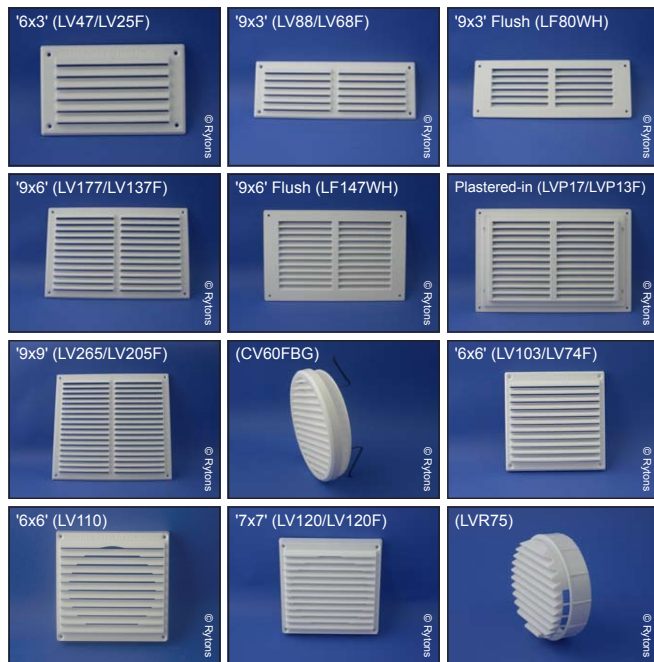
## Technical Data Sheet

### Rytons Plastered-in Louvre Ventilators

[www.vents.co.uk](http://www.vents.co.uk) (search codes: LVP17 and LVP13F)

April 2010

#### Sizes and Styles Available in Plastic



Can't find the size, colour or finish you require?  
Talk to Rytons Sales Office about specials.

#### Specification Paragraph

Manufacturer: Rytons Building Products Ltd

T: 01536 511874, F: 01536 310455, E: admin@rytons.com

Visit our website at [www.vents.co.uk](http://www.vents.co.uk)

Product ref:

- Rytons Plastered-in Louvre Ventilator '9x6' (ref LVP17 to BBA 94/3071)
- Rytons Flyscreened Plastered-in Louvre Ventilator '9x6' (ref LVP13F to BBA 94/3071)

Size: 296mm Long x 192mm High

#### Installation

Position over opening, fasten into place and plaster up to raised flange around louvres.

#### BBA Approval

Rytons has 73 British Board of Agrément approved products; the largest range on the market. BBA certification is third party evaluation and accreditation, and approved products are accepted by building control officers, architects, engineers and surveyors nationwide. The NHBC also accept products approved by the BBA when used as stated in the relevant BBA certificate. Rytons also has an Irish Building Regulation Statement for each of their three BBA certificates.

#### UK Regulations, Standards and Guidelines

**For heat producing appliances (including solid fuel) refer to:**

The Building Regulations 2000, Approved Document J.

The Building (Scotland) Regulations 2004, Mandatory Standard 3.21.

The Building Regulations (Northern Ireland) 2000, Technical Booklet L.

British Standard BS 5440-2:2000.

**For decorative fuel effect gas fires refer to:**

British Standard BS 5871-3:2005.

#### Important Note

Rytons Plastered-in Louvre Ventilator with Flyscreen (LVP13F) may not be used to ventilate a heat producing appliance because it incorporates a flyscreen.

#### Handling Information

Box quantities: 25 number.

Box sizes: 32cm (W) x 21cm (H) x 30cm (D).

Box weights: LVP17 3.5kg, LVP13F 4.7kg.

## Questions

#### Can the vent be painted?

Yes, with an acrylic or enamel based paint. A test area should be carried out first and care must be taken not to block the flyscreen.

#### Is colour matching available?

This product is available to order in non-standard colours, choosing from either a Rytons colour or supplying a RAL number. For further information ask about Rytons colour matching service.

#### Why is the vent larger than 9" x 6"?

The description '9 x 6' is a nominal size with the vent larger to cover cavity liners and damaged areas.



Please recycle printouts where facilities exist.

