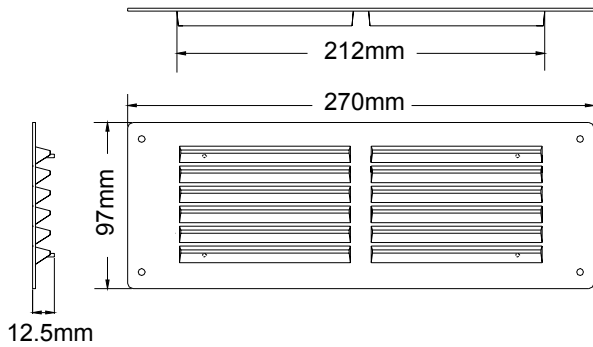


Technical Data Sheet

Rytons Flush Fitting Louvre Ventilators '9x3' and '9x6'

Dimensional Drawing (LF80)



(LF147)

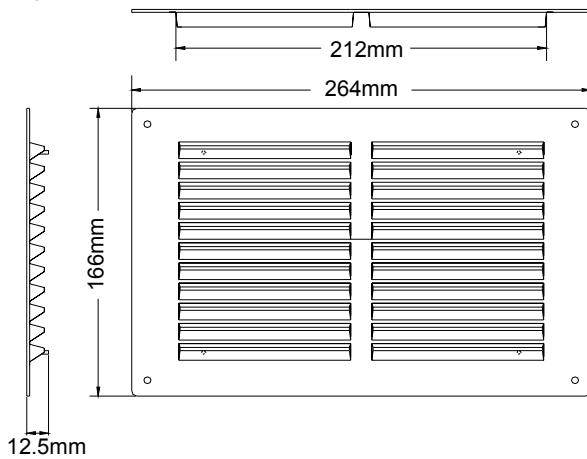
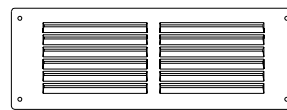


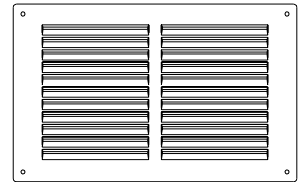
Photo Library



Irish Reg. Stat.



Rytons LF80



Rytons LF147

Main Uses, Features and Benefits

- Room and cupboard ventilators.
- Inverted fixed open louvres.
- Extra slim profile with flush finish.
- Embossed with DO NOT BLOCK.
- Rytons LF80WH is compatible with Rytons '9x3' AirLiners®.
- Rytons LF147WH is compatible with Rytons '9x6' AirLiners®.
- U.V. stabilised for internal and external use.



F30 Accessories/Sundry Items for Brick/Block/Stone Walling

Specification Clauses 16, 165

U90 General Ventilation - Domestic

Specification Clauses 36, 38, 61, 360, 380, 505

Product Specification Code

Rytons LF80WH.

Rytons LF147WH.

Size

LF80WH: Overall size: 270mm (L) x 97mm (H).

Hole size: 212mm (L) x 75mm (H) minimum.

LF147WH: Overall size: 264mm (L) x 166mm (H).

Hole size: 212mm (L) x 132mm (H) minimum.

R14 AutoCAD drawings available by e-mail.

Free Area

LF80WH: 8000mm² (80cm²) (12¼"²) per unit.

LF147WH: 14700mm² (147cm²) (22¾"²) per unit.

Composition

U.V. stabilised high impact polystyrene.

Colours

White.

Technical Data Sheet

Rytons Flush Fitting Louvre Ventilators '9x3' and '9x6'

Photo Library



Specification Paragraph

Manufacturer:

Rytons Building Products Ltd Tel: 01536 511874 Fax: 01536 310455

Email: admin@rytons.com Web: www.vents.co.uk (updated regularly)

Product ref:

- Rytons Flush Fitting Louvre Ventilator '9x3' (ref LF80WH to BBA 94/3071)
- Rytons Flush Fitting Louvre Ventilator '9x6' (ref LF147WH to BBA 94/3071)

Size:

- LF80WH 212mm Long x 75mm High hole size
- LF147WH 212mm Long x 132mm High hole size

Installation

Position over opening and fasten into place.

BBA Approval

Rytons has 73 British Board of Agrément approved products; the largest range on the market. BBA certification is third party evaluation and accreditation, and approved products are accepted by building control officers, architects, engineers and surveyors nationwide. The NHBC also accept products approved by the BBA when used as stated in the relevant BBA certificate. Rytons also has an Irish Building Regulation Statement for each of their three BBA certificates.

UK Regulations, Standards and Guidelines

For heat producing appliances (including solid fuel) refer to:

The Building Regulations 2000, Approved Document J.

The Building (Scotland) Regulations 2004, Mandatory Standard 3.21.

The Building Regulations (Northern Ireland) 2000, Technical Booklet L.

British Standard BS 5440-2:2000.

For decorative fuel effect gas fires refer to:

British Standard BS 5871-3:2005.

Handling Information

Box quantities: 25 number.

Box sizes: LF80WH 32cm (W) x 10.5cm (H) x 29cm (D).

LF147WH 28cm (W) x 18cm (H) x 26.5cm (D).

Box weights: LF80WH 1.425kg, LF147WH 2.325kg.

Other Sizes and Styles Available



Questions

Can the vents be painted?

Yes, with an acrylic or enamel based paint. A test area should be carried out first.

Is colour matching available?

This product is available to order in non-standard colours, choosing from either a Rytons colour or supplying a RAL number. For further information ask about Rytons Colour Matching service.

Why are the vents larger than 9" x 3" and 9" x 6"?

The descriptions are nominal sizes with the vents larger to cover cavity liners and damaged areas.



Please recycle printouts where facilities exist.