

Technical Data Sheet

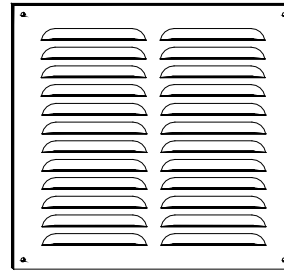
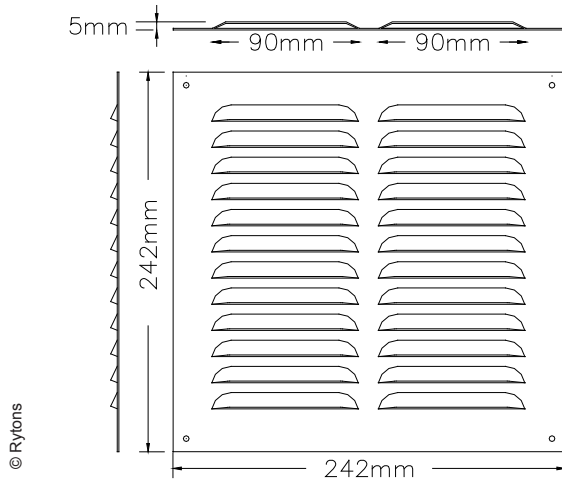
Rytons Metal Louvre Ventilators '9x9'

www.vents.co.uk

(search codes: LV99ALUM, LV99BAA, LV99BRAS)

April 2010

Dimensional Drawing

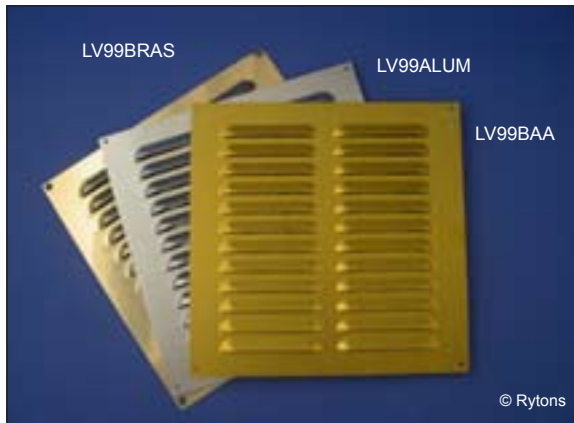


© Rytons

Main Uses, Features and Benefits

- Room and cupboard ventilators.
- Low profile fixed open louvres.
- Strong, durable, slim and lustrous.
- Aluminium (ALUM).
- Brass anodised aluminium (BAA).
- Solid brass (BRAS).

Photo Library



F30 Accessories/Sundry Items for Brick/Block/Stone Walling

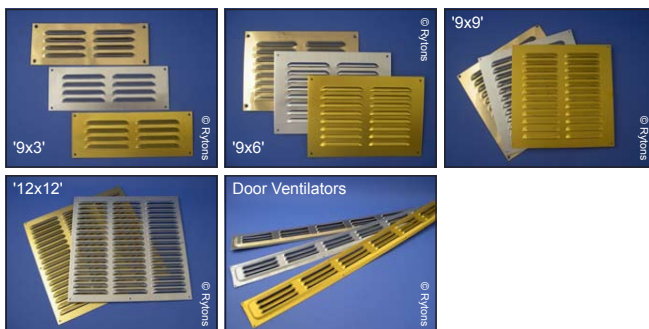
Specification clauses 16, 165

U90 General Ventilation - Domestic

Specification Clauses 36, 38, 61, 360, 380, 505

Product Specification Code	Free Area
ALUM: Rytons LV99ALUM	11919mm ² (119.19cm ²) (18¼"²) per unit
BAA: Rytons LV99BAA	11919mm ² (119.19cm ²) (18¼"²) per unit
BRAS: Rytons LV99BRAS	11919mm ² (119.19cm ²) (18¼"²) per unit

Sizes and Styles Available in Metal



Size

242mm (L) x 242mm (H).

AutoCAD drawing available by email.

Composition

ALUM: 0.8mm (20 gauge) aluminium.

BAA: 0.8mm (20 gauge) brass anodised aluminium.

BRAS: 0.9mm (20 gauge) solid brass.

Melting Point

Aluminium: 500°C

Brass: 800°C

Colours

ALUM: Self colour aluminium.

BAA: Brass.

BRAS: Polished brass.

Can't find the size, colour or finish you require?
Talk to Rytons Sales Office about specials.

Technical Data Sheet

Rytons Metal Louvre Ventilators '9x9'

www.vents.co.uk

(search codes: LV99ALUM, LV99BAA, LV99BRAS)

April 2010

Specification Paragraph

Manufacturer: Rytons Building Products Ltd

T: 01536 511874, F: 01536 310455, E: admin@rytons.com

Visit our website at www.vents.co.uk

Product ref:

- Rytons Aluminium Louvre Ventilator '9x9' (ref LV99ALUM)

- Rytons Brass Anodised Aluminium Louvre Ventilator '9x9' (ref LV99BAA)

- Rytons Brass Louvre Ventilator '9x9' (ref LV99BRAS)

Size: 242mm Long x 242mm High

Installation

Position over opening and fasten into place.

UK Regulations, Standards and Guidelines

For heat producing appliances (including solid fuel) refer to:

The Building Regulations 2000, Approved Document J.

The Building (Scotland) Regulations 2004, Mandatory Standard 3.21.

The Building Regulations (Northern Ireland) 2000, Technical Booklet L.

British Standard BS 5440-2:2000.

For decorative fuel effect gas fires refer to:

British Standard BS 5871-3:2005.

Handling Information

Box quantities: 25 number.

Box weights: LV99ALUM 3kg, LV99BAA 3kg, LV99BRAS 11kg.

Questions

Are aluminium louvre vents suitable for external use in a marine environment?

Aluminium is not suitable for use in a marine environment. Grade 3/6 stainless steel is a better option.

Can I point the louvres backwards for a flush finish?

Yes, all Rytons metal Louvre Ventilators are surface mounted so can be fitted with louvres facing forwards as standard or backwards for a flush finish.

Are there any other sizes and finishes available?

Contact our sales office for up to date details of non-standard sizes and finishes.



Please recycle printouts where facilities exist.

