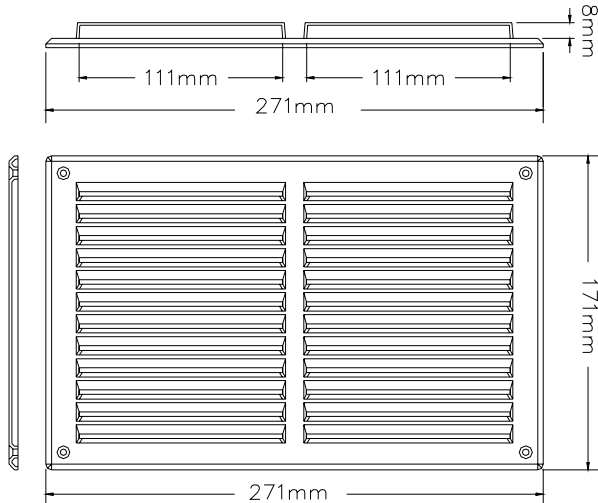


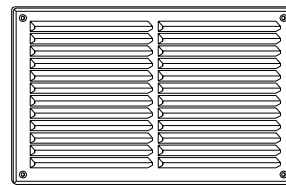
Technical Data Sheet

Rytons Louvre Ventilators '9x6'

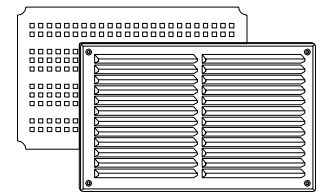
Dimensional Drawing



Irish Reg. Stat.

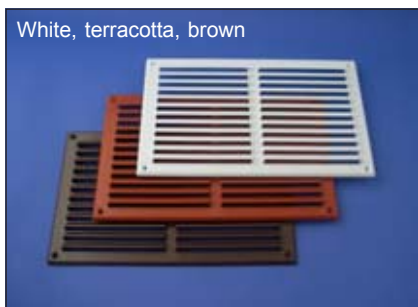


Rytons LV177/LVFR177WH



Rytons LV137F/LVFR137FWH

Photo Library



Main Uses, Features and Benefits

- Room and cupboard ventilators.
- Available with and without a flyscreen.
- Low profile fixed open louvres.
- High air flows.
- For internal and external use.
- Embossed with DO NOT BLOCK.
- Compatible with Rytons '9x6' AirLiners®.
- U.V. stabilised for internal and external use.
- Available in ' VO' (the highest rated) flame-retardant material.



F30 Accessories/Sundry Items for Brick/Block/Stone Walling



Specification Clauses 16, 165

U90 General Ventilation - Domestic

Specification Clauses 36, 38, 61, 62, 360, 380, 505, 510

Product Specification Code

Rytons LV177 (louvre ventilator without flyscreen).

Rytons LV137F (louvre ventilator with flyscreen).

Rytons LVFR177WH (flame-retardant louvre ventilator without flyscreen).

Rytons LVFR137FWH (flame-retardant louvre ventilator with flyscreen).

Size

271mm (L) x 171mm (H).

R14 AutoCAD drawing available by e-mail.

Free Area

LV177/LVFR177WH: 17760mm² (177.6cm²) (27½"²) per unit.

LV137F/LVFR137FWH: 13300mm² (133cm²) (20½"²) per unit.

Composition

U.V. stabilised high impact polystyrene.

Colours

LV177: White, terracotta, brown.

LV137F: White, terracotta, brown (white flyscreen).

LVFR177WH: White.

LVFR137FWH: White.

Technical Data Sheet

Rytons Louvre Ventilators '9x6'

Colour Key



Other Sizes and Styles Available



Questions

What is the benefit of 'VO' rated flame-retardant material and how does it differ from standard plastic?

In the event of a fire flame-retardant grilles will melt (without dropping molten plastic) rather than burst into flames. If the temperature gets so hot there is a flame it would self-extinguish reducing the chances of fire spreading between rooms/buildings etc.

Can the vent be painted?

Yes, with an acrylic or enamel based paint. A test area should be carried out first and care must be taken not to block the flyscreen.

Is colour matching available?

This product is available to order in non-standard colours, choosing from either a Rytons colour or supplying a RAL number. For further information ask about Rytons Colour Matching service.

Why is the vent larger than 9" x 6"?

The description '9x6' is a nominal size with the vent larger to cover cavity liners and damaged areas.

Specification Paragraph

Manufacturer:

Rytons Building Products Ltd Tel: 01536 511874 Fax: 01536 310455
Email: admin@rytons.com Web: www.vents.co.uk (updated regularly)
Product ref:

- Rytons Louvre Ventilator '9x6' (ref LV177 to BBA 94/3071)
- Rytons Flyscreened Louvre Ventilator '9x6' (ref LV137F to BBA 94/3071)
- Rytons Flame-Retardant Louvre Ventilator '9x6' (ref LVFR177WH to BBA 94/3071)
- Rytons Flame-Retardant Flyscreened Louvre Ventilator '9x6' (ref LVFR137FWH to BBA 94/3071)

Size: 271mm Long x 171mm High

Colour: White, terracotta, brown

Installation

Position over opening and fasten into place.

BBA Approval

Rytons has **73** British Board of Agrément approved products; the largest range on the market. BBA certification is third party evaluation and accreditation, and approved products are accepted by building control officers, architects, engineers and surveyors nationwide. The NHBC also accept products approved by the BBA when used as stated in the relevant BBA certificate. Rytons also has an Irish Building Regulation Statement for each of their three BBA certificates.

UK Regulations, Standards and Guidelines

For heat producing appliances (including solid fuel) refer to:

The Building Regulations 2000, Approved Document J.
The Building (Scotland) Regulations 2004, Mandatory Standard 3.21.
The Building Regulations (Northern Ireland) 2000, Technical Booklet L.
British Standard BS 5440-2:2000.

For decorative fuel effect gas fires refer to:

British Standard BS 5871-3:2005.

Important Note

Rytons Flyscreened Louvre Ventilator (LV137F) may not be used to ventilate a heat producing appliance because it incorporates a flyscreen.

Handling Information

Box quantities: 25 number.

Box sizes: LV177 28cm (W) x 18cm (H) x 26.5cm (D).

LV137F 32cm (W) x 18.5cm (H) x 29cm (D).

Box weights: LV177 2.5kg, LV137F 3.75kg.



Please recycle printouts where facilities exist.