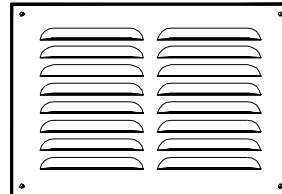
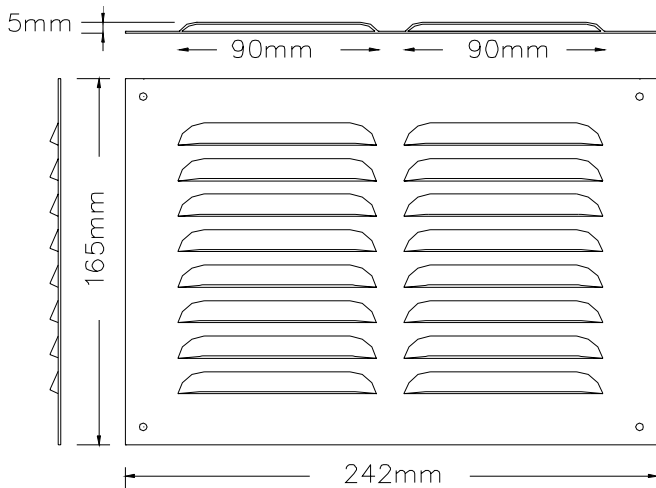


## Technical Data Sheet

### Rytons Metal Louvre Ventilators '9x6'

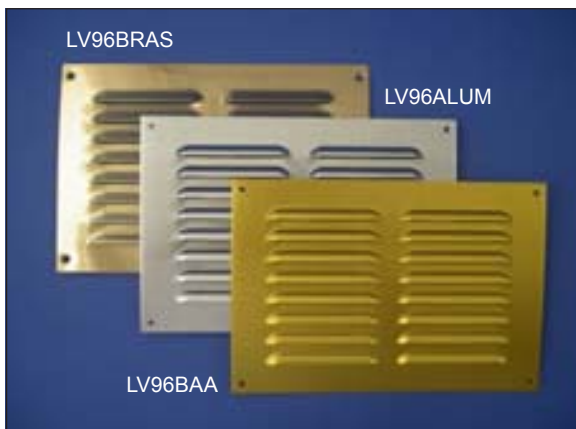
#### Dimensional Drawing



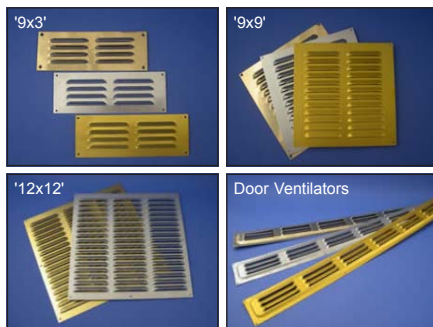
#### Main Uses, Features and Benefits

- Room and cupboard ventilators.
- Low profile fixed open louvres.
- Strong, durable, slim and lustrous.
- Aluminium (ALUM).
- Brass anodised aluminium (BAA).
- Solid brass (BRAS).

#### Photo Library



#### Other Sizes and Styles Available



#### F30 Accessories/Sundry Items for Brick/Block/Stone Walling

055Plus

Specification Clauses 16, 165

U90 General Ventilation - Domestic

Specification Clauses 36, 38, 61, 360, 380, 505

#### Product Specification Code

ALUM: Rytons LV96ALUM.

BAA: Rytons LV96BAA.

BRAS: Rytons LV96BRAS.

#### Size

242mm (L) x 165mm (H).

R14 AutoCAD drawing available by e-mail.

#### Free Area

7946mm<sup>2</sup> (79.46cm<sup>2</sup>) (12¼"²) per unit.

#### Composition

ALUM: 0.7mm (22 gauge) aluminium.

BAA: 0.7mm (22 gauge) brass anodised aluminium.

BRAS: 0.9mm (20 gauge) solid brass.

#### Melting Point

Aluminium: 500°C

Brass: 800°C

#### Colours

ALUM: Self colour aluminium.

BAA: Brass.

BRAS: Polished brass.

#### Specification Paragraph

Manufacturer:

Rytons Building Products Ltd Tel: 01536 511874 Fax: 01536 310455

Email: admin@rytons.com Web: www.vents.co.uk (updated regularly)

Product ref:

- Rytons Aluminium Louvre Ventilator '9x6' (ref LV96ALUM)

- Rytons Brass Anodised Aluminium Louvre Ventilator '9x6' (ref LV96BAA)

- Rytons Brass Louvre Ventilator '9x6' (ref LV96BRAS)

Size: 242mm Long x 165mm High

**RYTONS**

Building Products

www.vents.co.uk

Innovation in Ventilation

*Naturally*

+44 (0)1536 511874

+44 (0)1536 310455

lit@rytons.com

www.vents.co.uk **Hardware** section

(search codes: LV96ALUM, LV96BAA, LV96BRAS)

July 2008

## Technical Data Sheet

### Rytons Metal Louvre Ventilators '9x6'

#### Installation

Position over opening and fasten into place.

#### UK Regulations, Standards and Guidelines

**For heat producing appliances (including solid fuel) refer to:**

The Building Regulations 2000, Approved Document J.

The Building (Scotland) Regulations 2004, Mandatory Standard 3.21.

The Building Regulations (Northern Ireland) 2000, Technical Booklet L.

British Standard BS 5440-2:2000.

**For decorative fuel effect gas fires refer to:**

British Standard BS 5871-3:2005.

#### Handling Information

Box quantities: 25 number.

Box weights: LV96ALUM 1.75kg, LV96BAA 1.75kg, LV96BRAS 7.75kg.

## Questions

#### Are aluminium louvre vents suitable for external use in a marine environment?

Aluminium is not suitable for use in a marine environment. Grade 3/6 stainless steel would be suitable.

#### Can I point the louvres backwards for a flush finish?

Yes, all Rytons metal Louvre Ventilators are surface mounted so can be fitted with louvres facing forwards as standard or backwards for a flush finish.

#### Are there any other sizes and finishes available?

Contact our sales office for up to date details of non-standard sizes and finishes.



Please recycle printouts where facilities exist.

