

## Technical Data Sheet

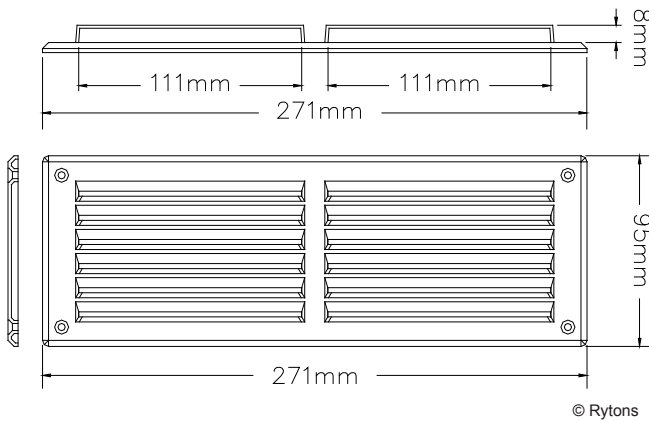
### Rytons Louvre Ventilators '9x3'

[www.vents.co.uk](http://www.vents.co.uk)

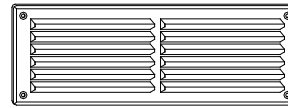
(search codes: LV88, LV68F, LVFR88WH, LVFR68FWH)

April 2010

#### Dimensional Drawing

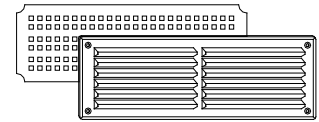


Rytons LV88 / LVFR88WH



© Rytons

Rytons LV68F / LVFR68FWH



© Rytons

#### Approvals and Testing



Irish Reg. Stat.

#### Photo Library



#### Main Uses, Features and Benefits

- Room and cupboard ventilators.
- Available with and without a flyscreen.
- Available in 'VO' (the highest rated) flame-retardant material.
- Low profile fixed open louvres.
- High air flows.
- Embossed with DO NOT BLOCK.
- Compatible with Rytons '9x3' AirLiners®.
- For internal and external use.
- U.V. stabilised to protect against deterioration by sunlight.



#### F30 Accessories/Sundry Items for Brick/Block/Stone Walling

ns5Plus

Specification clauses 16, 165

U90 General Ventilation - Domestic

Specification clauses 36, 38, 61, 62, 360, 380, 505, 510

Product Specification Code	Free Area
Rytons LV88 Rytons LVFR88WH - Flame Retardant	8800mm <sup>2</sup> (88cm <sup>2</sup> ) (13½") per unit
Rytons LV68F - Flyscreened Rytons LVFR68FWH - Flame Retardant	6600mm <sup>2</sup> (66cm <sup>2</sup> ) (10") per unit

#### Size

271mm (L) x 95mm (H).

AutoCAD drawings available by email.

#### Composition

U.V. stabilised high impact polystyrene.

#### Colours

LV88: White, terracotta, brown.

LV68F: White, terracotta, brown (white flyscreen).

LVFR88WH: White.

LVFR68FWH: White.



## Technical Data Sheet

### Rytons Louvre Ventilators '9x3'

[www.vents.co.uk](http://www.vents.co.uk)

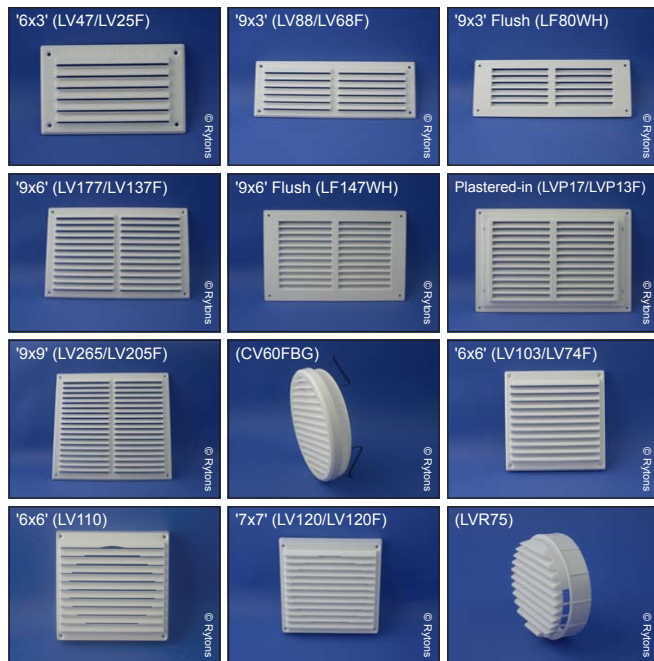
(search codes: LV88, LV68F, LVFR88WH, LVFR68FWH)

April 2010

#### Colour Key



#### Sizes and Styles Available in Plastic



Can't find the size, colour or finish you require?  
Talk to Rytons Sales Office about specials.

## Questions

#### What is the benefit of 'VO' rated flame-retardant material and how does it differ from standard plastic?

In the event of a fire flame-retardant grilles will melt (without dropping molten plastic) rather than burst into flames. If the temperature gets so hot there is a flame it would self-extinguish reducing the chances of fire spreading between rooms/buildings etc.

#### Can the vent be painted?

Yes, with an acrylic or enamel based paint. A test area should be carried out first and care must be taken not to block the flyscreen.

#### Is colour matching available?

This product is available to order in non-standard colours, choosing from either a Rytons colour or supplying a RAL number. For further information ask about Rytons colour matching service.

#### Why is the vent larger than 9" x 3"?

The description '9x3' is a nominal size with the vent larger to cover cavity liners and damaged areas.

#### Specification Paragraph

Manufacturer: Rytons Building Products Ltd

T: 01536 511874, F: 01536 310455, E: admin@rytons.com

Visit our website at [www.vents.co.uk](http://www.vents.co.uk)

Product ref:

- Rytons Louvre Ventilator '9x3' (ref LV88 to BBA 94/3071)
- Rytons Flyscreened Louvre Ventilator '9x3' (ref LV68F to BBA 94/3071)
- Rytons Flame-Retardant Louvre Ventilator '9x3' (ref LVFR88WH to BBA 94/3071)
- Rytons Flame-Retardant Flyscreened Louvre Ventilator '9x3' (ref LVFR68FWH to BBA 94/3071)

Size: 271mm Long x 97mm High

Colour: White, terracotta, brown

#### Installation

Position over opening and fasten into place.

#### BBA Approval

Rytons has 73 British Board of Agrément approved products; the largest range on the market. BBA certification is third party evaluation and accreditation, and approved products are accepted by building control officers, architects, engineers and surveyors nationwide. The NHBC also accept products approved by the BBA when used as stated in the relevant BBA certificate. Rytons also has an Irish Building Regulation Statement for each of their three BBA certificates.

#### UK Regulations, Standards and Guidelines

##### For heat producing appliances (including solid fuel) refer to:

The Building Regulations 2000, Approved Document J.

The Building (Scotland) Regulations 2004, Mandatory Standard 3.21.

The Building Regulations (Northern Ireland) 2000, Technical Booklet L.

British Standard BS 5440-2:2000.

##### For decorative fuel effect gas fires refer to:

British Standard BS 5871-3:2005.

#### Important Note

Rytons Flyscreened Louvre Ventilator (LV68F) may not be used to ventilate a heat producing appliance because it incorporates a flyscreen.

#### Handling Information

Box quantities: 25 number.

Box sizes: 32cm (W) x 10.5cm (H) x 29cm (W).

Box weights: LV88 1.25kg, LV68F 1.75kg.



Please recycle printouts where facilities exist.

