

## Technical Data Sheet

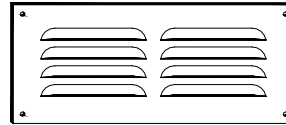
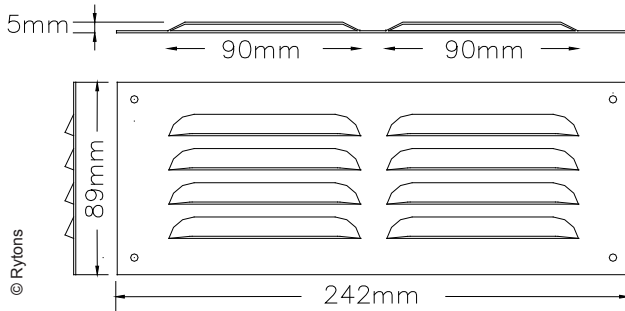
### Rytons Metal Louvre Ventilators '9x3'

[www.vents.co.uk](http://www.vents.co.uk)

(search codes: LV93ALUM, LV93BAA, LV93BRAS)

April 2010

#### Dimensional Drawing

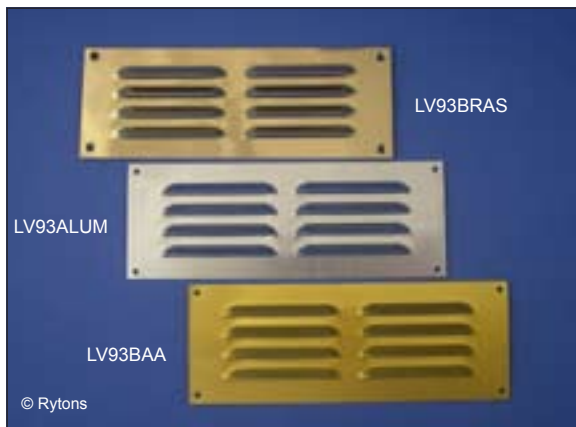


© Rytons

#### Main Uses, Features and Benefits

- Room and cupboard ventilators.
- Low profile fixed open louvres.
- Strong, durable, slim and lustrous.
- Aluminium (ALUM).
- Brass anodised aluminium (BAA).
- Solid brass (BRAS).

#### Photo Library



#### F30 Accessories/Sundry Items for Brick/Block/Stone Walling

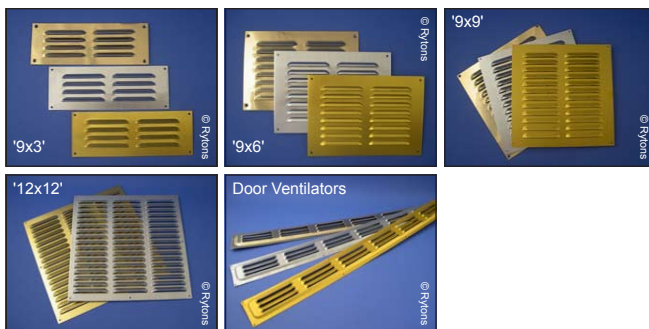
Specification clauses 16, 165

#### U90 General Ventilation - Domestic

Specification Clauses 36, 38, 61, 360, 380, 505

Product Specification Code	Free Area
ALUM: Rytons LV93ALUM	3973mm <sup>2</sup> (39.73cm <sup>2</sup> ) (6"²) per unit
BAA: Rytons LV93BAA	3973mm <sup>2</sup> (39.73cm <sup>2</sup> ) (6"²) per unit
BRAS: Rytons LV93BRAS	3973mm <sup>2</sup> (39.73cm <sup>2</sup> ) (6"²) per unit

#### Sizes and Styles Available in Metal



Can't find the size, colour or finish you require?  
Talk to Rytons Sales Office about specials.

#### Size

242mm (L) x 89mm (H).

AutoCAD drawing available by email.

#### Composition

ALUM: 0.7mm (22 gauge) aluminium.

BAA: 0.7mm (22 gauge) brass anodised aluminium.

BRAS: 0.9mm (20 gauge) solid brass.

#### Melting Point

Aluminium: 500°C

Brass: 800°C

#### Colours

ALUM: Self colour aluminium.

BAA: Brass.

BRAS: Polished brass.

#### Specification Paragraph

Manufacturer: Rytons Building Products Ltd

T: 01536 511874, F: 01536 310455, E: admin@rytons.com

Visit our website at [www.vents.co.uk](http://www.vents.co.uk)

Product ref:

- Rytons Aluminium Louvre Ventilator '9x3' (ref LV93ALUM)

- Rytons Brass Anodised Aluminium Louvre Ventilator '9x3' (ref LV93BAA)

- Rytons Brass Louvre Ventilator '9x3' (ref LV93BRAS)

Size: 242mm Long x 89mm High

## Technical Data Sheet

### Rytons Metal Louvre Ventilators '9x3'

[www.vents.co.uk](http://www.vents.co.uk)

(search codes: LV93ALUM, LV93BAA, LV93BRAS)

April 2010

#### Installation

Position over opening and fasten into place.

#### UK Regulations, Standards and Guidelines

**For heat producing appliances (including solid fuel) refer to:**

The Building Regulations 2000, Approved Document J.

The Building (Scotland) Regulations 2004, Mandatory Standard 3.21.

The Building Regulations (Northern Ireland) 2000, Technical Booklet L.

British Standard BS 5440-2:2000.

**For decorative fuel effect gas fires refer to:**

British Standard BS 5871-3:2005.

#### Handling Information

Box quantities: 25 number.

Box weights: LV93ALUM 1kg, LV93BAA 1kg, LV93BRAS 4.25kg.

## Questions

#### Are aluminium louvre vents suitable for external use in a marine environment?

Aluminium is not suitable for use in a marine environment. Grade 3/6 stainless steel is a better option.

#### Can I point the louvres backwards for a flush finish?

Yes, all Rytons metal Louvre Ventilators are surface mounted so can be fitted with louvres facing forwards as standard or backwards for a flush finish.

#### Are there any other sizes and finishes available?

Contact our sales office for up to date details of non-standard sizes and finishes.



Please recycle printouts where facilities exist.

