

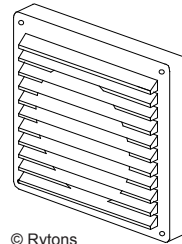
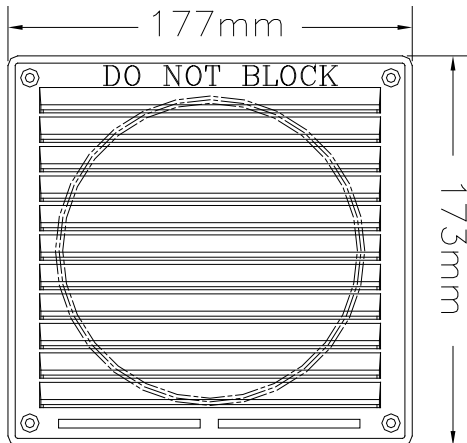
Technical Data Sheet

www.vents.co.uk (search codes: LV120 and LV120F)

Rytons Deep Profiled Louvre Ventilators '7x7'

April 2010

Dimensional Drawing



© Rytons

Main Uses, Features and Benefits

- Room and cupboard ventilators.
- Available with and without a flyscreen.
- Fixed open louvres.
- High air flows.
- Embossed with DO NOT BLOCK.
- For internal and external use.
- U.V. stabilised to protect against deterioration by sunlight.



Photo Library



Colour Key



F30 Accessories/Sundry Items for Brick/Block/Stone Walling

Specification clauses 16, 165

U90 General Ventilation - Domestic

Specification clauses 36, 38, 61, 62, 360, 380, 505, 510

Product Specification Code	Free Area
Rytons LV120	11995mm ² (119.95cm ²) (18½"²) per unit
Rytons LV120F - Flyscreened	11000mm ² (110cm ²) (17"²) per unit

Size

177mm (L) x 173mm (H) x 34mm (D) (including louvres).
AutoCAD drawing available by email.

Composition

U.V. stabilised high impact polystyrene.
High density polyethelene flyscreen.

Colours

LV120: White, buff/sand, terracotta.
LV120F: White, buff/sand, terracotta (black flyscreen).

Specification Paragraph

Manufacturer: Rytons Building Products Ltd
T: 01536 511874, F: 01536 310455, E: admin@rytons.com
Visit our website at www.vents.co.uk
Product ref:

- Rytons Deep Profiled Louvre Ventilator '7x7' (ref LV120)
 - Rytons Deep Profiled Louvre Ventilator with Flyscreen '7x7' (ref LV120F)
- Size: 177mm Long x 173mm High x 23mm Deep
Colour: White, buff/sand, terracotta



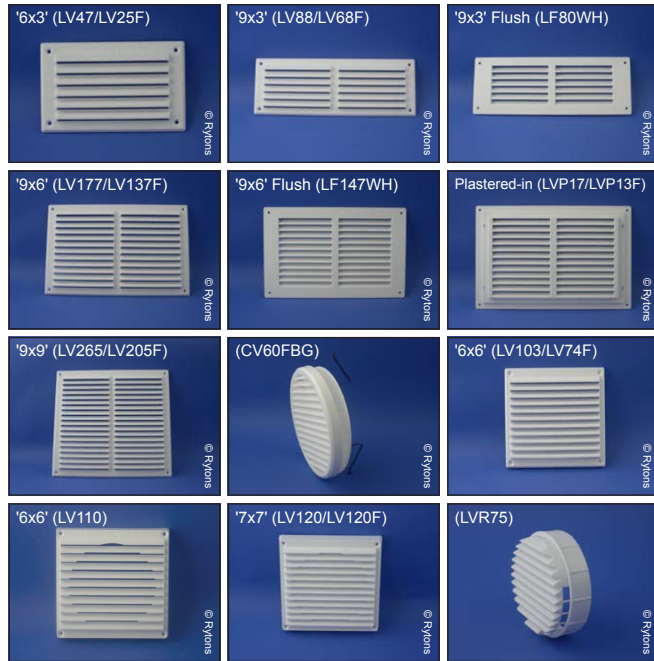
Technical Data Sheet

Rytons Deep Profiled Louvre Ventilators '7x7'

www.vents.co.uk (search codes: LV120 and LV120F)

April 2010

Sizes and Styles Available in Plastic



Can't find the size, colour or finish you require?
Talk to Rytons Sales Office about specials.

Installation

Position over opening and fasten into place.

Extra Features and Benefits

Compatible with Rytons '7x7' Louvre Backplate (LVBACK150) for 150mm (6") ducting.

UK Regulations, Standards and Guidelines

For heat producing appliances (including solid fuel) refer to:

The Building Regulations 2000, Approved Document J.
The Building (Scotland) Regulations 2004, Mandatory Standard 3.21.
The Building Regulations (Northern Ireland) 2000, Technical Booklet L.
British Standard BS 5440-2:2000.

For decorative fuel effect gas fires refer to:

British Standard BS 5871-3:2005.

Important Note

Rytons Flyscreened Louvre Ventilator (LV120F) may not be used to ventilate a heat producing appliance because it incorporates a flyscreen.

Handling Information

Weights: LV120 0.076kg, LV120F 0.077kgeach.

Questions

Can the vent be painted?

Yes, with an acrylic or enamel based paint although we recommend a test area be carried out first.

Is colour matching available?

This product is available to order in non-standard colours, choosing from either a Rytons colour or supplying a RAL number. For further information ask about Rytons colour matching service.

Why is the vent larger than 7" x 7"?

The description '7x7' is a nominal size with the vent larger to cover any damage to the surrounding area.



Please recycle printouts where facilities exist.

