

## Technical Data Sheet

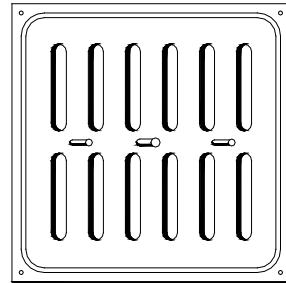
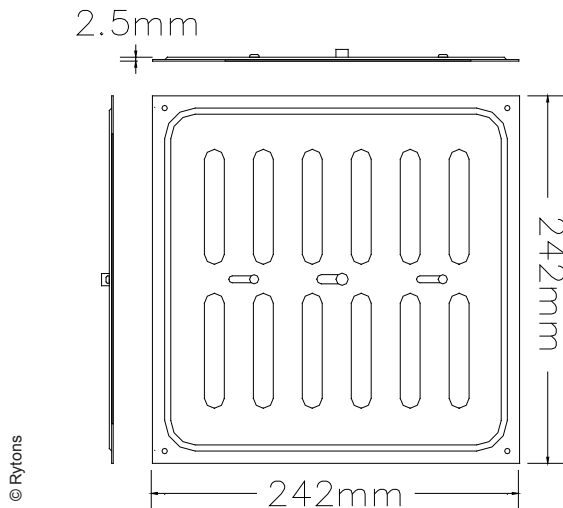
### Rytons Metal Hit & Miss Ventilators '9x9'

[www.vents.co.uk](http://www.vents.co.uk)

(search codes: HM99ALUM, HM99BAA, HM99BRAS)

April 2010

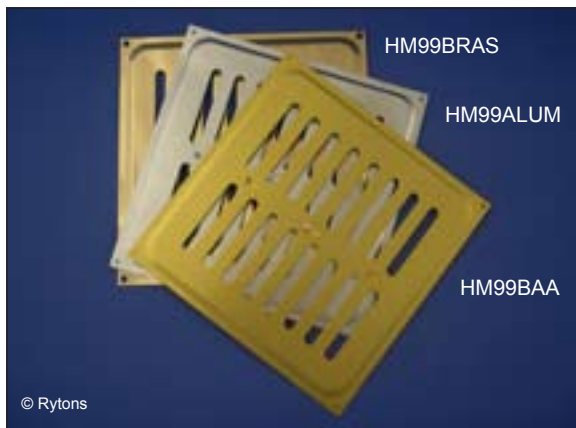
#### Dimensional Drawing



#### Main Uses, Features and Benefits

- Adjustable background ventilators for rooms.
- Small space and cupboard ventilators.
- Strong, durable, slim and lustrous.
- Aluminium (ALUM).
- Brass anodised aluminium (BAA).
- Solid brass (BRAS).

#### Photo Library



#### Sizes Available in Metal



Can't find the size or finish you require?  
Talk to Rytons Sales Office about specials.

#### F30 Accessories/Sundry Items for Brick/Block/Stone Walling

Specification clauses 16, 165

#### U90 General Ventilation - Domestic

Specification Clauses 36, 38, 61, 360, 380, 505

Product Specification Code	Free Area
ALUM: Rytons HM99ALUM	11250mm <sup>2</sup> (112.5cm <sup>2</sup> ) per unit
BAA: Rytons HM99BAA	11250mm <sup>2</sup> (112.5cm <sup>2</sup> ) per unit
BRAS: Rytons HM99BRAS	11250mm <sup>2</sup> (112.5cm <sup>2</sup> ) per unit

#### Size

242mm (L) x 242mm (H).

AutoCAD drawing available by email.

#### Composition

ALUM: 0.8mm (20 gauge) aluminium.

BAA: 0.8mm (20 gauge) brass anodised aluminium.

BRAS: 0.8mm (20 gauge) solid brass.

#### Colours

ALUM: Self colour aluminium.

BAA: Brass.

BRAS: Polished brass.

#### Specification Paragraph

Manufacturer: Rytons Building Products Ltd

T: 01536 511874, F: 01536 310455, E: admin@rytons.com

Visit our website at [www.vents.co.uk](http://www.vents.co.uk)

Product ref:

- Rytons Aluminium Hit & Miss Ventilator '9x9' (ref HM99ALUM)

- Rytons Brass Anodised Aluminium Hit & Miss Vent '9x9' (ref HM99BAA)

- Rytons Brass Hit & Miss Ventilator '9x9' (ref HM99BRAS)

Size: 242mm Long x 242mm High

## Technical Data Sheet

### Rytons Metal Hit & Miss Ventilators '9x9'

[www.vents.co.uk](http://www.vents.co.uk)

(search codes: HM99ALUM, HM99BAA, HM99BRAS)

April 2010

#### Installation

Position over opening and fasten into place.

#### UK Regulations, Standards and Guidelines

The Building Regulations 2000, Approved Document F 2006 edition.

The Building (Scotland) Regulations 2007, Mandatory Standard 3.14.

The Building Regulations (Northern Ireland) 2000, Technical Booklet K.

British Standard BS 5250:2002.

#### Important Note

Hit & Miss Ventilators are not permitted to ventilate heat producing appliances as they may be closed, stopping the air flow.

#### Handling Information

Box quantities: 25 number.

Box weights: HM99ALUM 4.25kg, HM99BAA 4.25kg, HM99BRAS 13kg.

## Questions

#### Are there any other sizes and finishes available?

Contact our sales office for up to date details of non-standard sizes and finishes.



Please recycle printouts where facilities exist.

