

Technical Data Sheet

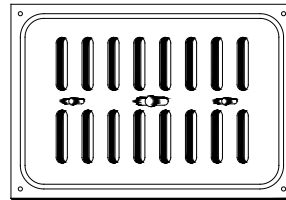
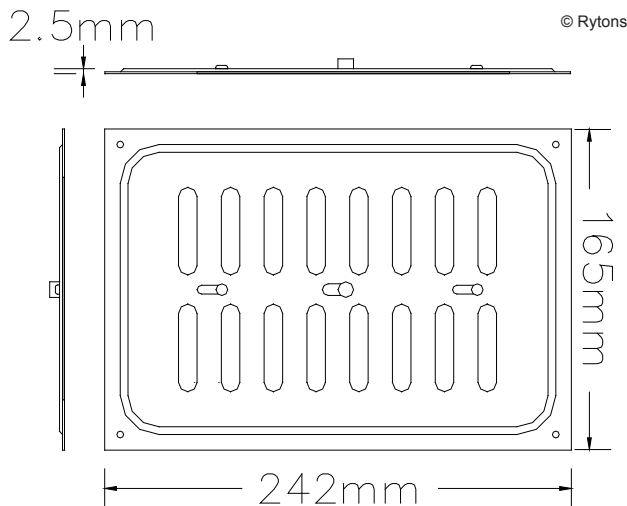
Rytons Metal Hit & Miss Ventilators '9x6'

www.vents.co.uk

(search codes: HM96ALUM, HM96BAA, HM96BRAS)

April 2010

Dimensional Drawing

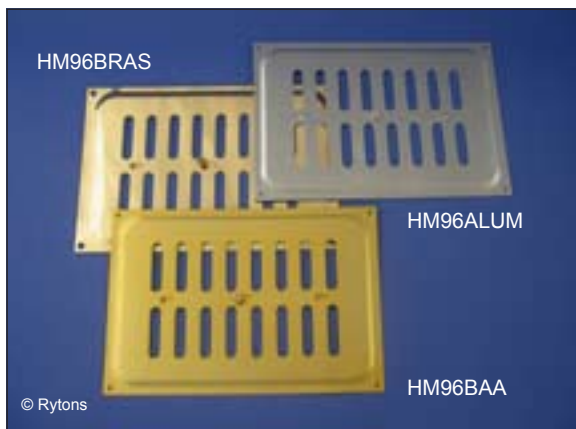


© Rytons

Main Uses, Features and Benefits

- Adjustable background ventilators for rooms.
- Small space and cupboard ventilators.
- Strong, durable, slim and lustrous.
- Aluminium (ALUM).
- Brass anodised aluminium (BAA).
- Solid brass (BRAS).

Photo Library



Sizes Available in Metal



Can't find the size or finish you require?
Talk to Rytons Sales Office about specials.

F30 Accessories/Sundry Items for Brick/Block/Stone Walling

Specification clauses 16, 165

U90 General Ventilation - Domestic

Specification Clauses 36, 38, 61, 360, 380, 505

Product Specification Code	Free Area
ALUM: Rytons HM96ALUM	6452mm ² (64.52cm ²) per unit
BAA: Rytons HM96BAA	6452mm ² (64.52cm ²) per unit
BRAS: Rytons HM96BRAS	6452mm ² (64.52cm ²) per unit

Size

242mm (L) x 165mm (H).

AutoCAD drawing available by email.

Composition

ALUM: 0.8mm (20 gauge) aluminium.

BAA: 0.8mm (20 gauge) brass anodised aluminium.

BRAS: 0.8mm (20 gauge) solid brass.

Colours

ALUM: Self colour aluminium.

BAA: Brass.

BRAS: Polished brass.

Specification Paragraph

Manufacturer: Rytons Building Products Ltd

T: 01536 511874, F: 01536 310455, E: admin@rytons.com

Visit our website at www.vents.co.uk

Product ref:

- Rytons Aluminium Hit & Miss Ventilator '9x6' (ref HM96ALUM)

- Rytons Brass Anodised Aluminium Hit & Miss Vent '9x6' (ref HM96BAA)

- Rytons Brass Hit & Miss Ventilator '9x6' (ref HM96BRAS)

Size: 242mm Long x 165mm High

Technical Data Sheet

Rytons Metal Hit & Miss Ventilators '9x6'

www.vents.co.uk

(search codes: HM96ALUM, HM96BAA, HM96BRAS)

April 2010

Installation

Position over opening and fasten into place.

UK Regulations, Standards and Guidelines

The Building Regulations 2000, Approved Document F 2006 edition.

The Building (Scotland) Regulations 2007, Mandatory Standard 3.14.

The Building Regulations (Northern Ireland) 2000, Technical Booklet K.

British Standard BS 5250:2002.

Important Note

Hit & Miss Ventilators are not permitted to ventilate heat producing appliances as they may be closed, stopping the air flow.

Handling Information

Box quantities: 25 number.

Box weights: HM96ALUM 2.25kg, HM96BAA 2.25kg, HM96BRAS 9kg.

Questions

Are there any other sizes and finishes available?

Contact our sales office for up to date details of non-standard sizes and finishes.



Please recycle printouts where facilities exist.

