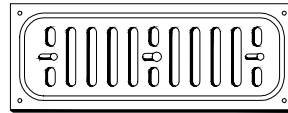
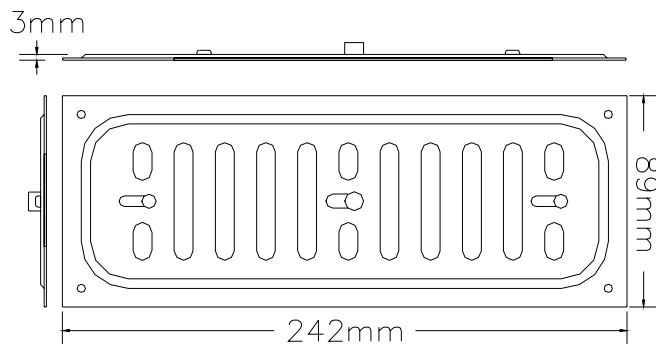


Technical Data Sheet

Rytons Metal Hit & Miss Ventilators '9x3'

Dimensional Drawing



Main Uses, Features and Benefits

- Adjustable background ventilators for rooms.
- Small space and cupboard ventilators.
- Strong, durable, slim and lustrous.
- Aluminium (ALUM).
- Brass anodised aluminium (BAA).
- Solid brass (BRAS).

Photo Library



F30 Accessories/Sundry Items for Brick/Block/Stone Walling
Specification Clauses 16, 165
U90 General Ventilation - Domestic
Specification Clauses 36, 38, 61, 360, 380, 505

Product Specification Code

ALUM: Rytons HM93ALUM.

BAA: Rytons HM93BAA.

BRAS: Rytons HM93BRAS.

Size

242mm (L) x 89mm (H).

R14 AutoCAD drawing available by e-mail.

Free Area

3741mm² (37.41cm²) (5¼"²) per unit.

Composition

ALUM: 0.8mm (20 gauge) aluminium.

BAA: 0.8mm (20 gauge) brass anodised aluminium.

BRAS: 0.8mm (20 gauge) solid brass.

Colours

ALUM: Self colour aluminium.

BAA: Brass.

BRAS: Polished brass.

Specification Paragraph

Manufacturer:

Rytons Building Products Ltd Tel: 01536 511874 Fax: 01536 310455

Email: admin@rytons.com Web: www.vents.co.uk (updated regularly)

Product ref:

- Rytons Aluminium Hit & Miss Ventilator '9x3' (ref HM93ALUM)

- Rytons Brass Anodised Aluminium Hit & Miss Vent '9x3' (ref HM93BAA)

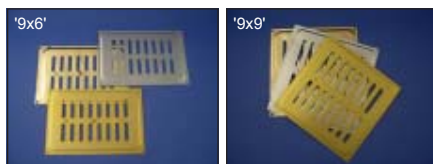
- Rytons Brass Hit & Miss Ventilator '9x3' (ref HM93BRAS)

Size: 242mm Long x 89mm High

Installation

Position over opening and fasten into place.

Other Sizes Available



Technical Data Sheet

Rytons Metal Hit & Miss Ventilators '9x3'

UK Regulations, Standards and Guidelines

The Building Regulations 2000, Approved Document F 2006 edition.
The Building (Scotland) Regulations 2004, Mandatory Standard 3.14.
The Building Regulations (Northern Ireland) 2000, Technical Booklet K.
British Standard BS 5250:2002.

Important Note

Hit & Miss Ventilators are not permitted to ventilate heat producing appliances as they may be closed, stopping the air flow.

Handling Information

Box quantities: 25 number.

Box weights: HM93ALUM 1.5kg, HM93BAA 1.5kg, HM93BRAS 4.75kg.

Questions

Are there any other sizes and finishes available?

Contact our sales office for up to date details of non-standard sizes and finishes.



Please recycle printouts where facilities exist.