

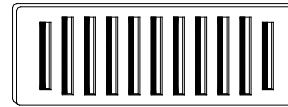
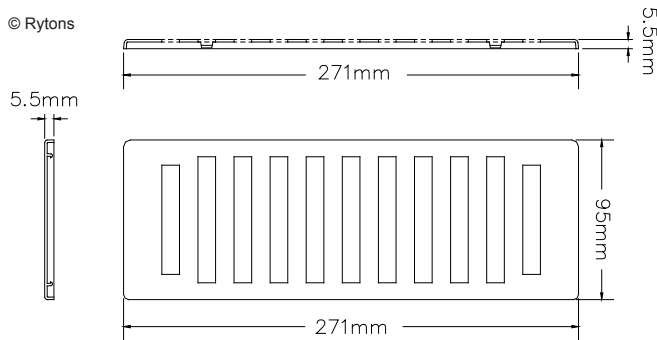
Technical Data Sheet

Rytons Hit & Miss Ventilator '9x3'

www.vents.co.uk (search codes: HM43F and HMFR43F)

April 2010

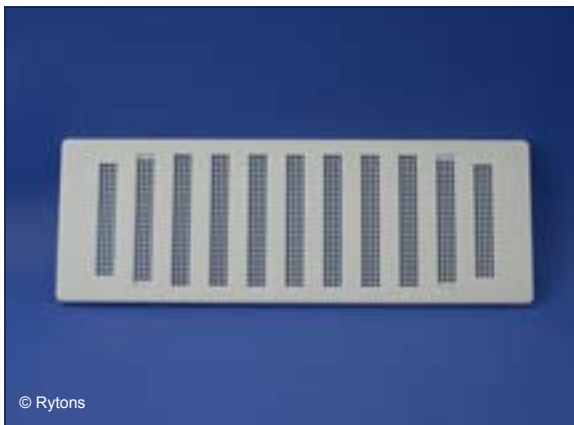
Dimensional Drawing



Approvals and Testing



Photo Library



Main Uses, Features and Benefits

- Adjustable background ventilator for rooms.
- Small space and cupboard ventilator.
- Integral flyscreen with concealed fixings.
- Flush face and low profile.
- Compatible with Rytons '9x3' AirLiners®.
- Available in 'VO' (the highest rated) flame-retardant material.
- U.V. stabilised to protect against deterioration by sunlight.



F30 Accessories/Sundry Items for Brick/Block/Stone Walling

Specification clauses 16, 165

U90 General Ventilation - Domestic

Specification Clauses 36, 38, 61, 360, 380, 505

Product Specification Code	Free Area
Rytons HM43F	4400mm ² (44cm ²) per unit
Rytons HMFR43F - Flame Retardant	4400mm ² (44cm ²) per unit

Size

271mm (L) x 95mm (H).

AutoCAD drawing available by email.

Composition

U.V. stabilised high impact polystyrene.

Colours

White.

Specification Paragraph

Manufacturer: Rytons Building Products Ltd

T: 01536 511874, F: 01536 310455, E: admin@rytons.com

Visit our website at www.vents.co.uk

Product ref:

- Rytons Hit & Miss Ventilator '9x3' (ref HM43F to BBA 94/3071)

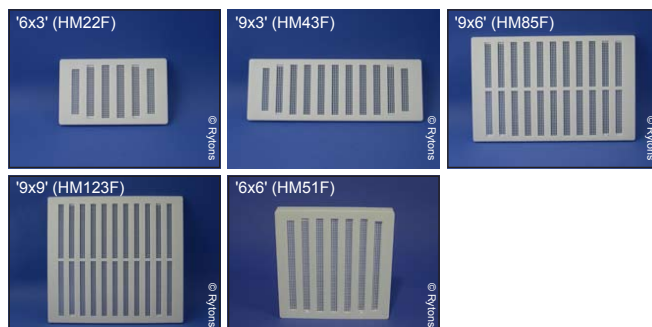
- Rytons Flame-Retardant Hit & Miss Ventilator '9x3' (ref HMFR43F to BBA 94/3071)

Size: 271mm Long x 95mm High

Installation

Pull off flyscreen from front cover. Fasten flyscreen over opening. Align front cover with flyscreen and 'snap' into position.

Sizes Available in Plastic



Can't find the size, colour or finish you require?

Talk to Rytons Sales Office about specials.

Technical Data Sheet

Rytons Hit & Miss Ventilator '9x3'

www.vents.co.uk (search codes: HM43F and HMFR43F)

April 2010

BBA Approval

Rytons has 73 British Board of Agrément approved products; the largest range on the market. BBA certification is third party evaluation and accreditation, and approved products are accepted by building control officers, architects, engineers and surveyors nationwide. The NHBC also accept products approved by the BBA when used as stated in the relevant BBA certificate. Rytons also has an Irish Building Regulation Statement for each of their three BBA certificates.

UK Regulations, Standards and Guidelines

The Building Regulations 2000, Approved Document F 2006 edition.
The Building (Scotland) Regulations 2007, Mandatory Standard 3.14.
The Building Regulations (Northern Ireland) 2000, Technical Booklet K.
British Standard BS 5250:2002.

Important Note

Hit & Miss Ventilators are not permitted to ventilate heat producing appliances as they may be closed, stopping the air flow.

Handling Information

Box quantity: 25 number.
Box size: 28cm (W) x 19cm (H) x 11cm (D).
Box weight: 1.5kg.

Questions

What is the benefit of 'VO' rated flame-retardant material and how does it differ from standard plastic?

In the event of a fire flame-retardant grilles will melt (without dropping molten plastic) rather than burst into flames. If the temperature gets so hot there is a flame it would self-extinguish reducing the chances of fire spreading between rooms/buildings etc.

Can the vent be painted?

Yes, with an acrylic or enamel based paint. A test area should be carried out first and care must be taken not to block the flyscreen.

Is colour matching available?

This product is available to order in non-standard colours, choosing from either a Rytons colour or supplying a RAL number. For further information ask about Rytons colour matching service.

Why is the vent larger than 9" x 3"?

The description '9x3' is a nominal size with the vent larger to cover cavity liners and damaged areas.



Please recycle printouts where facilities exist.

