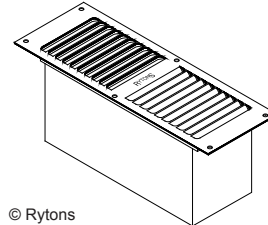
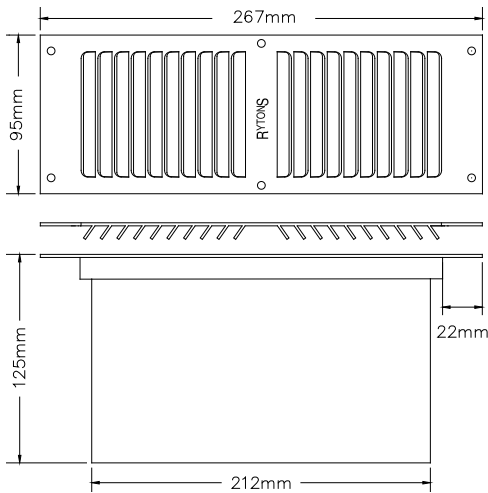


## Technical Data Sheet Rytons Floor Ventilator

[www.vents.co.uk](http://www.vents.co.uk) (search code: FV10BRAS and FV10CHRO)

May 2010

### Dimensional Drawing



### Approvals and Testing



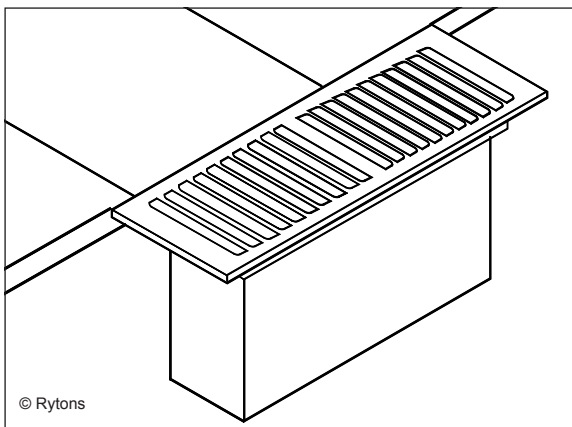
### Main Uses, Features and Benefits

- Room ventilator.
- Utilises air from a ventilated sub-floor void.
- Choice of mirror polished solid brass louvre or chrome plated solid brass louvre.
- Inverted louvres provide a flush finish.
- Brass or chrome coloured screws included.

nsPlus

U90 General Ventilation - Domestic  
Specification Clauses 61, 505

### In-Situ Line Drawing



Product Specification Code	Free Area
Rytons FV10BRAS - with brass louvre	11000mm <sup>2</sup> (110cm <sup>2</sup> ) (17"²)
Rytons FV10CHRO - with chromed louvre	11000mm <sup>2</sup> (110cm <sup>2</sup> ) (17"²)

### Size

267mm (L) x 95mm (H) x 125mm (D).  
AutoCAD drawing available by email.

### Composition

Louvre: 1mm thick half hard solid brass.  
Sleeve: Polypropylene. **Contains recycled plastic.**

### Melting Point

Louvre: Approx. 900°C.

### Colours

FV10BRAS Louvre: Polished brass.  
FV10CHRO Louvre: Chrome.  
Sleeve: Black.

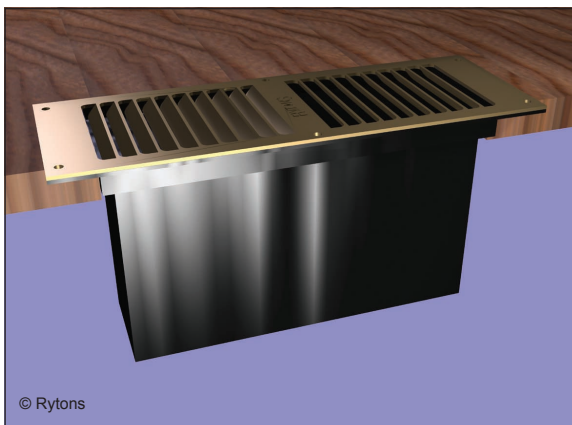
### Specification Paragraph

Manufacturer: Rytons Building Products Ltd  
T: 01536 511874, F: 01536 310455, E: admin@rytons.com  
Visit our website at [www.vents.co.uk](http://www.vents.co.uk)

### Product ref:

- Rytons Floor Ventilator Brass (ref FV10BRAS to BBA 94/3071)
- Rytons Floor Ventilator Chrome (ref FV10CHRO to BBA 94/3071)

### In-Situ Drawing



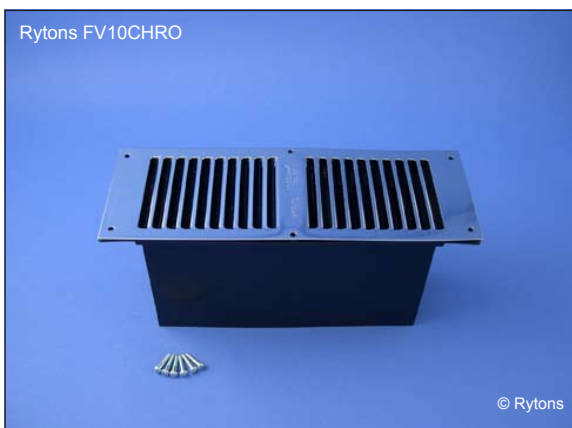
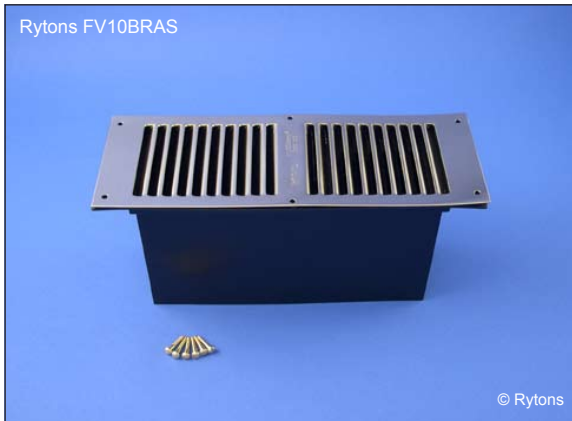
## Technical Data Sheet

### Rytons Floor Ventilator

[www.vents.co.uk](http://www.vents.co.uk) (search code: FV10BRAS and FV10CHRO)

May 2010

#### Photo Library



#### Installation

Cut an opening in the floor and insert sleeve (sleeve can be trimmed with a fine tooth saw to reduce the depth if required). Fasten louvre through pre-formed holes in the flange around the sleeve using screws provided. Peel off protective film when installing polished brass louvre. Note: When installing in an uncarpeted floor the flange may be trimmed back slightly and the louvre ventilator screwed into the floor to maintain as flush a finish as possible.

#### BBA Approval

Rytons has 73 British Board of Agrément approved products; the largest range on the market. BBA certification is third party evaluation and accreditation, and approved products are accepted by building control officers, architects, engineers and surveyors nationwide. The NHBC also accept products approved by the BBA when used as stated in the relevant BBA certificate. Rytons also has an Irish Building Regulation Statement for each of their three BBA certificates.

#### UK Regulations, Standards and Guidelines

##### For heat producing appliances (including solid fuel) refer to:

The Building Regulations 2000, Approved Document J.

The Building (Scotland) Regulations 2005, Mandatory Standard 3.21.

The Building Regulations (Northern Ireland) 2000, Technical Booklet L.

British Standard BS 5440-2:2009.

##### For decorative fuel effect gas fires refer to:

British Standard BS 5871-3:2005.

#### Important Note

In areas where radon gas has been identified as a problem, ventilation shall not be taken from the space below ground floor level (e.g. using a floor vent), or interfere in any way with any remedial measures already in place to prevent radon gas entering the habitable part of the dwelling.

#### Handling Information

Box quantity: 1 set.

Box size: 28cm (W) x 11cm (H) x 14.5cm (D).

Box weights: FV10BRAS 0.39kg, FV10CHRO 0.454kg.

## Questions

#### Are the louvre grilles available separately?

Yes, contact Rytons sales office for details.



Please recycle printouts where facilities exist.

