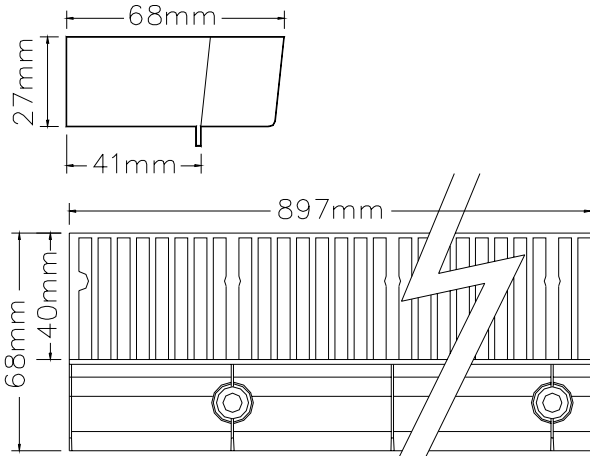


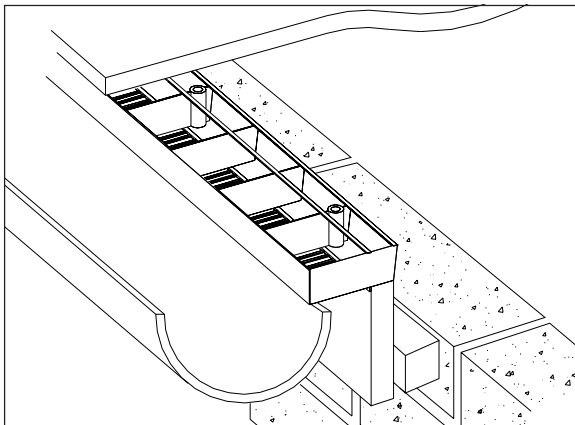
Technical Data Sheet

Rytons Flat Roof/Abutment Ventilator

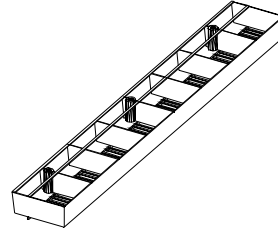
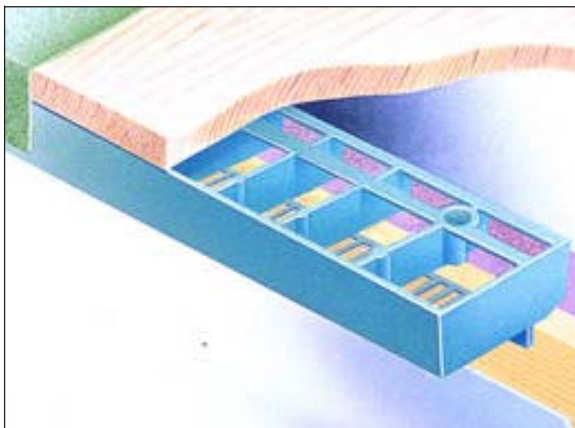
Dimensional Drawing



In-Situ Line Drawing



In-Situ Drawing



Irish Reg. Stat.

Main Uses, Features and Benefits

- Flat roof and abutment ventilator.
- Allows air into roof void.
- Fixing holes aid easy and accurate positioning on fascia board.
- 4mm ventilation slots promote unrestricted air flow.

H60 Plain Roof Tiling

H62 Natural Slating

Specification Clause 675

H61 Fibre Cement Slating

H65 Single Lap Roof Tiling

Specification Clauses 72, 675

Product Specification Code

Rytons FR250.

Size

897mm (L) x 68mm (W) x 27mm (H).

R14 AutoCAD drawing available by e-mail.

Free Area

22425mm² per length (25000mm² per metre).

Equal to a Continuous Opening

25mm wide.

Composition

High impact polystyrene.

Colours

Brown.

Specification Paragraph

Manufacturer:

Rytons Building Products Ltd Tel: 01536 511874 Fax: 01536 310455

Email: admin@rytons.com Web: www.vents.co.uk (updated regularly)

Product ref:

Rytons Flat Roof/Abutment Ventilator Brown (ref FR250BR to BBA 94/3070)

Installation

Fix to the top of the fascia board and overlay with plywood and felt. Alternatively when used as an abutment ventilator, fix through the pre-formed holes to a softwood timber batten fixed to the roof timbers maintaining a gap of at least 25mm from the wall. A timber fillet should be placed on top of the ventilator before being dressed with lead. Recommended for use with Rytons Roof Ventilators (TV600, TV6005D) or Rytons Rafter Roll Ventilator (RRV250) on low pitch roof details.

Technical Data Sheet

Rytons Flat Roof/Abutment Ventilator

Colour Key

Brown

Photo Library



BBA Approval

Rytons has 73 British Board of Agrément approved products; the largest range on the market. BBA certification is third party evaluation and accreditation, and approved products are accepted by building control officers, architects, engineers and surveyors nationwide. The NHBC also accept products approved by the BBA when used as stated in the relevant BBA certificate. Rytons also has an Irish Building Regulation Statement for each of their three BBA certificates.

UK Regulations, Standards and Guidelines

British Standard BS 5250:2002 (amended 23 December 2005)

8.4.3.3.1 Cold Deck Flat Roof

Ventilation openings should be provided to every void along two opposite sides to the roof and should be equivalent to a continuous opening of not less than 25mm at each side. A 50mm (minimum) unrestricted airspace should be maintained between the underside of the roof deck and the top of the insulation.

8.4.2.2.3.4 Ensure that:

b) ventilation openings are not blocked by insulation material, dust, airborne debris, paint or frost.

d) entry of birds and large insects is prevented; to achieve that, and to avoid excessive airflow resistance, a normal mesh/grille size of 4mm is recommended.

The Building Regulations 2000, Approved Document C 2004 edition.

Cold deck flat roofs are not permitted in Scotland.

The Building Regulations (Northern Ireland) 2000.

NHBC Standards 2006 7.1.

Zurich Building Guarantee Solid Foundation Manual.

A roof will meet the requirements if it is designed and constructed in accordance with Clause 8.4 of BS 5250:2002.

Handling Information

Box quantity: 20 lengths.

Box size: 102cm (W) x 12cm (H) x 35cm (D).

Box weight: 3kg.

Questions

Does the vent have a flymesh?

All Rytons over fascia vents feature 4mm wide ventilation slots, which form a barrier against birds and large insects. The addition of a smaller gauge mesh would dramatically increase the risk of blockage by airborne debris affecting the performance of the vent.



Please recycle printouts where facilities exist.