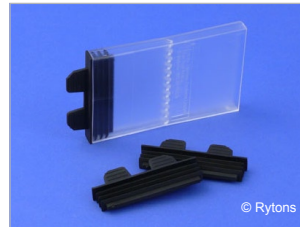


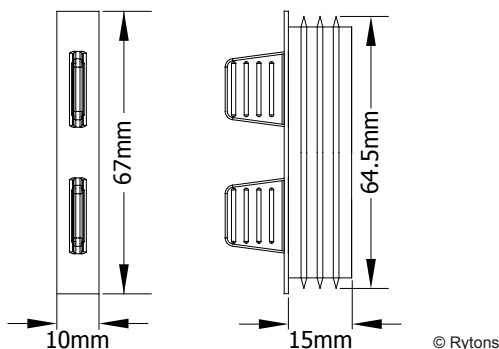
Technical Data Sheet

Rytons DamRyt® Slim Vent® Protector

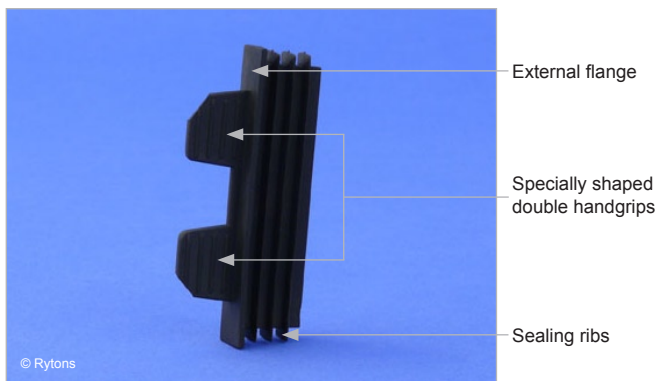


A simple plug for Rytons Slim Vent® Minor and Flyscreened Slim Vent® Minor. Protects the outlet from blockage during rendering or water penetration during flooding.

Dimensional Drawing



Component Details



Product Benefits

- Render and flood protector for Rytons Slim Vent® Minor and Flyscreened Slim Vent® Minor.
- Fit before rendering to prevent the outlet becoming blocked.
- Alleviates the time consuming task of finding and cleaning out vents later.
- Prepare for flooding by fitting when on flood alert. Minimises much of the damage caused by flood water entering through the cavity.
- Quick and simple to fit with no fixing tools necessary.
- Flange aids correct positioning and helps prevent seepage.
- Double handgrip helps achieve a tight fit on installation and easy removal after use.
- Made from durable material for use time and time again.
- Tell your insurer you have Slim Vent® flood protectors – it could help your premium.

Product Specification Code

Rytons DAMSLIMVENT

Size

Flange: 67mm H x 10mm W. Plug: 64.5mm H x 15mm D.
AutoCAD drawing available by email.

Colours

Black.

Composition

Thermoplastic rubber.

Specification Paragraph

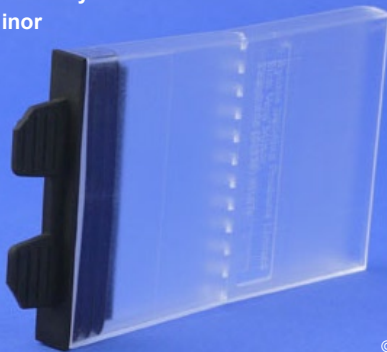
Manufacturer: Rytons Building Products Ltd
T: 01536 511874, F: 01536 310455, E: admin@rytons.com
Visit our website at www.vents.co.uk
Product ref:
Rytons DamRyt® Slim Vent® Protector (ref DAMSLIMVENT)

Technical Data Sheet

Rytons DamRyt® Slim Vent® Protector

Images

Rytons DamRyt® Slim Vent® Protector
with Rytons Clear Flyscreened
Slim Vent® Minor



© Rytons



© Rytons

More images available at www.vents.co.uk

Installation

Insert the plug end into the Slim Vent® Minor aperture. Using even pressure firmly push on the handgrips until the flange sits tight against the edge of the Slim Vent® Minor (check all edges are sealed).

Rendering: As the render starts to set carefully remove all DamRyt® Slim Vent® Protectors, wipe clean and store for future use.

Flood Protection: Once flood water has receded remove all DamRyt® Slim Vent® Protectors, wipe clean and store for future use.

Handling Information

Quantity available to requirements. Weight: 5gms each.

Flood Protection: Important Note

As there are always a large number of potential access points around a structure, and over time bricks will allow water to permeate, it is not possible to guarantee that no water will get through. However Rytons DamRyt® Slim Vent® Protector when fitted correctly, will minimise water penetration through low level Slim Vent® Minors.

Also in Rytons DamRyt® Render & Flood Protection Range

Rytons DamRyt® Air Brick Protector
(Ref: DAMRYT)



© Rytons

Rytons DamRyt® Rytweep® Protector
(Ref: DAMWEEP)



© Rytons

Flood Advice

For England and Wales visit:

www.environment-agency.gov.uk/homeandleisure/floods

For Scotland visit: www.sepa.org.uk/flooding



Please recycle printouts.