

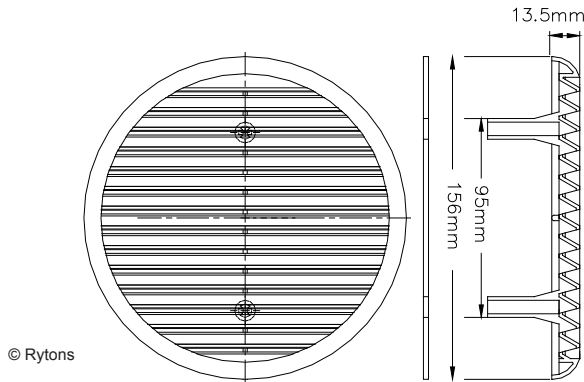
## Technical Data Sheet

### Rytons RytAround Ventilator

[www.vents.co.uk](http://www.vents.co.uk) (search code: CV60FBG)

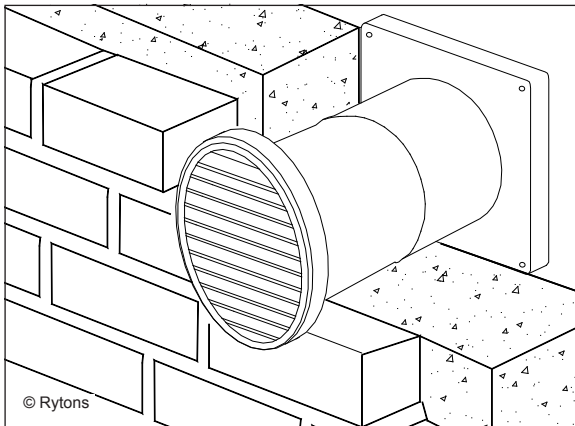
April 2010

#### Dimensional Drawing



© Rytons

#### In-Situ Line Drawing



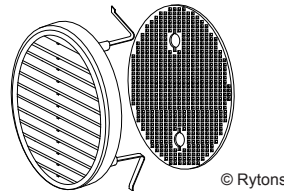
© Rytons

#### Photo Library

Supplied bagged for display



© Rytons



#### Approvals and Testing



#### Main Uses, Features and Benefits

- Circular louvre grille for external and internal use.
- For use in tubes and holes 100mm-150mm diameter.
- Supplied with removable flyscreen.
- Inverted fixed open louvres.
- Slim profile with flush finish.
- For internal and external use.
- U.V. stabilised to protect against deterioration by sunlight.



#### F30 Accessories/Sundry Items for Brick/Block/Stone Walling

Specification clauses 16, 165

#### U90 General Ventilation - Domestic

Specification clauses 36, 38, 61, 62, 360, 380, 505, 510

Product Specification Code	Free Area
Rytons CV60FBG	See below

#### Size

156mm overall external diameter.

R14 AutoCAD drawings available by e-mail.

#### Free Area

150mm (6") Dia. (maximum dependant on type/thickness of tube)

8900mm<sup>2</sup> (89cm<sup>2</sup>) (13¾"²) per unit without flyscreen.

6062mm<sup>2</sup> (60.62cm<sup>2</sup>) (9¼"²) per unit with flyscreen.

125mm (5") Dia. (maximum dependant on type/thickness of tube)

7618mm<sup>2</sup> (76.18cm<sup>2</sup>) (11¾"²) per unit without flyscreen.

4641mm<sup>2</sup> (46.41cm<sup>2</sup>) (7"²) per unit with flyscreen.

100mm (4") Dia. (maximum dependant on type/thickness of tube)

4873mm<sup>2</sup> (48.73cm<sup>2</sup>) (7½"²) per unit without flyscreen.

2912mm<sup>2</sup> (29.12cm<sup>2</sup>) (4½"²) per unit with flyscreen.

#### Composition

U.V. stabilised high impact polystyrene.

#### Colours

White, brown.

#### Specification Paragraph

Manufacturer: Rytons Building Products Ltd

T: 01536 511874, F: 01536 310455, E: admin@rytons.com

Visit our website at [www.vents.co.uk](http://www.vents.co.uk)

Product ref:

- Rytons RytAround Ventilator White (ref CV60FWBG to BBA 94/3071)

- Rytons RytAround Ventilator Brown (ref CV60FBBG to BBA 94/3071)

Size: 156mm Diameter

Colour: White, brown



## Technical Data Sheet

### Rytons RytAround Ventilator

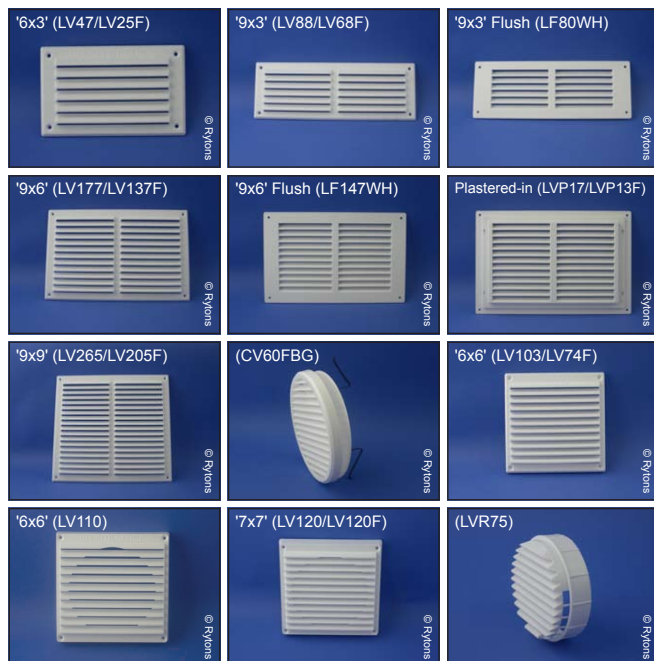
[www.vents.co.uk](http://www.vents.co.uk) (search code: CV60FBG)

April 2010

#### Colour Key



#### Sizes and Styles Available in Plastic



Can't find the size, colour or finish you require?  
Talk to Rytons Sales Office about specials.

#### Installation

Remove flyscreen if not required. Carefully fix metal spring clips into back of louvre. Position clips inside tube or hole and push firmly until louvre is flush with brickwork or inside face. Note: we recommend you mastic around the inside edge of the louvre for extra adhesion to brickwork (especially with 150mm (6") diameter tubes and holes). Consideration should be given to using Rytons Cowl (ABC8) in exposed areas.

#### Important Note

The flyscreen **must** be removed if the louvre is to vent a heat producing appliance.

#### BBA Approval

Rytons has 73 British Board of Agrément approved products; the largest range on the market. BBA certification is third party evaluation and accreditation, and approved products are accepted by building control officers, architects, engineers and surveyors nationwide. The NHBC also accept products approved by the BBA when used as stated in the relevant BBA certificate. Rytons also has an Irish Building Regulation Statement for each of their three BBA certificates.

#### UK Regulations, Standards and Guidelines

##### For heat producing appliances (including solid fuel) refer to:

The Building Regulations 2000, Approved Document J.  
The Building (Scotland) Regulations 2005, Mandatory Standard 3.21.  
The Building Regulations (Northern Ireland) 2000, Technical Booklet L.  
British Standard BS 5440-2:2000.

##### For decorative fuel effect gas fires refer to:

British Standard BS 5871-3:2005.

#### Handling Information

Box quantity: 20 number.  
Box size: 35cm (W) x 26cm (H) x 23cm (D).  
Box weight: 1.95kg.

## Questions

#### Can the vent be painted?

Yes, with an acrylic or enamel based paint. A test area should be carried out first and care must be taken not to block the flyscreen.

#### Is colour matching available?

This product is available to order in non-standard colours, choosing from either a Rytons colour or supplying a RAL number. For further information ask about Rytons colour matching service.



Please recycle printouts where facilities exist.

