

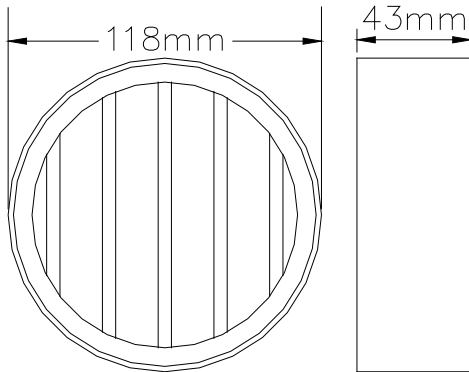
## Technical Data Sheet

# Rytons 125mm AirCore® Intumescent RytBlock

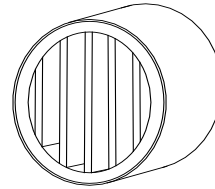
[www.vents.co.uk](http://www.vents.co.uk) (search code: ACFIRE)

April 2010

### Dimensional Drawing



© Rytons



© Rytons

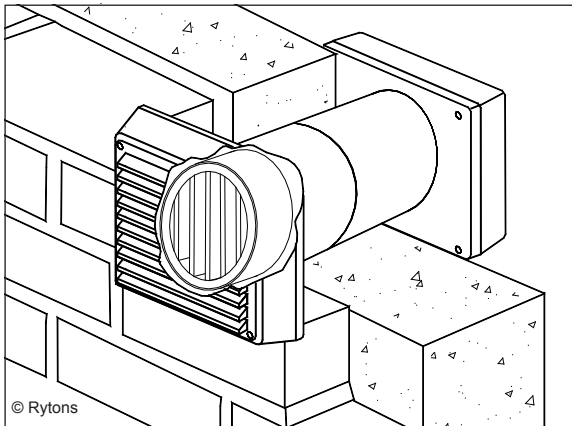


Fire retardant

### Main Uses, Features and Benefits

- Heavy duty intumescent grille for walls and ducts.
- In the event of a fire the slats fuse together and give a complete seal in 2 minutes (tested in accordance with BS476 Parts 20 and 22).
- Gives 3 hours protection preventing the passage of smoke and gases.
- Temperature increase insulated for 22 minutes.
- Steel framework protects surrounding intumescent materials by preventing the inward deformation.
- May be used in high humidity.
- Compatible with Rytons 125mm AirCores®.

### In-Situ Line Drawing



© Rytons

### F30 Accessories/Sundry Items for Brick/Block/Stone Walling

Specification Clauses 17, 171

### P21 Door/Window Ironmongery

Specification Clauses 66, 895

### U90 General Ventilation – Domestic

Specification Clauses 50, 443

NSPlus

### Product Specification Code

Rytons ACFIRE

### Free Area

5150mm<sup>2</sup> (51.5cm<sup>2</sup>) (7¾"²)

### Photo Library



Rytons ACFIRE in position inside  
Rytons 125mm AirCore® Terracotta

© Rytons

### Size

118mm (Dia.) x 43mm (D).

AutoCAD drawing available by email.

### Colours

Steel grey.

### Specification Paragraph

Manufacturer: Rytons Building Products Ltd

T: 01536 511874, F: 01536 310455, E: admin@rytons.com

Visit our website at [www.vents.co.uk](http://www.vents.co.uk)

Product ref: Rytons 125mm AirCore® Intumescent RytBlock (ref ACFIRE)

Type: 3 hour fire resisting Intumescent grille

### Installation

Position inside Rytons AirCore® tube behind the external grille.

### Important Note

Ensure block is surrounded by external brickwork or blockwork.

## Questions

### Can RytBlocks be used in a fire door?

Yes, all our intumescent blocks are high performance and can be used in fire doors.



Please recycle printouts where facilities exist.

