

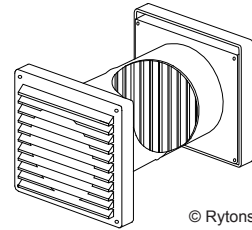
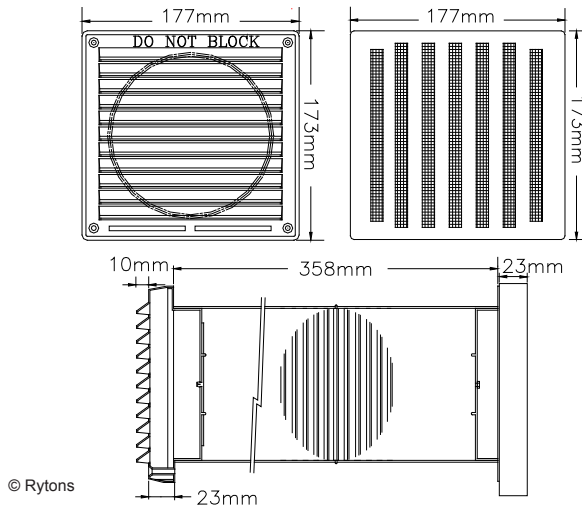
## Technical Data Sheet

### Rytons 150mm Baffled AirCore® with Hit & Miss Ventilator (Light and Draught Reducing)

[www.vents.co.uk](http://www.vents.co.uk) (search code: AC9HM)

April 2010

#### Dimensional Drawing



#### Approvals and Testing

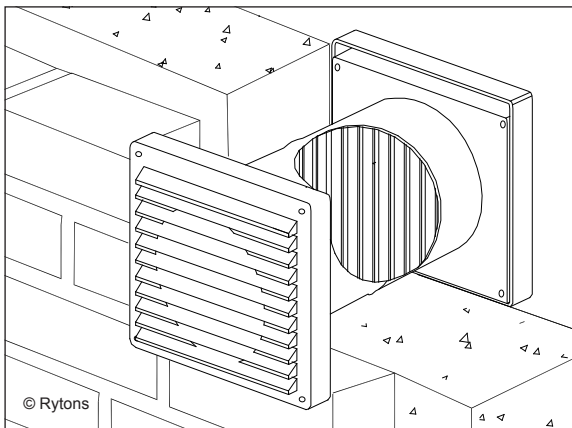


#### Main Uses, Features and Benefits

- Background ventilator for a habitable room.
- Provides over 5000mm<sup>2</sup> equivalent area.
- Equivalent area calculated by the BRE at 1 Pa to BS EN 13141-1:2004.
- Internal baffles reduce light and draughts.
- Manually controlled internal hit & miss ventilator with flyscreen.
- Fits into core drilled hole - suitable for retrofit installations.
- Grilles U.V. stabilised to protect against deterioration by sunlight.



#### In-Situ Line Drawing



#### F30 Accessories/Sundry Items for Brick/Block/Stone Walling

Specification clauses 17, 171

#### U90 General Ventilation - Domestic

Specification clauses 34, 340

Product Specification Code	Equivalent Area
Rytons AC9HM	5219mm <sup>2</sup> (52.19cm <sup>2</sup> )

#### Size

External Louvre: 177mm (L) x 173mm (H).

Tube: 151mm (6") (Dia.) x 358mm (L).

(If necessary a maximum of 63mm may be cut from each end of the tube).

Internal Hit & Miss: 177mm (L) x 173mm (H).

AutoCAD drawing available by email.

#### Equivalent Area

5219mm<sup>2</sup> (52.19cm<sup>2</sup>) per unit.

#### Composition

External Louvre: U.V. stabilised high impact polystyrene.

Tube: High impact polystyrene. *Contains recycled plastic.*

Internal Hit & Miss: U.V. stabilised high impact polystyrene.

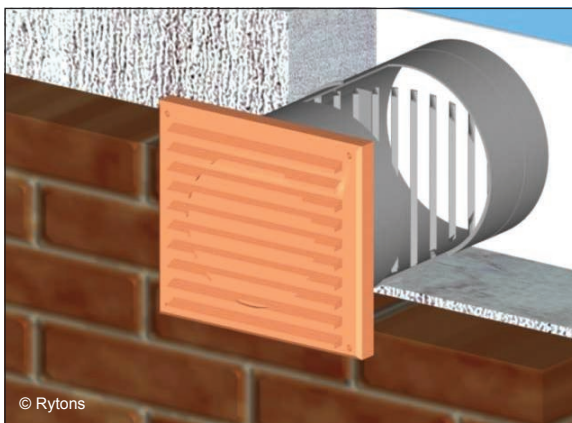
#### Colours

External Louvre: White, buff/sand, terracotta.

Tube: Black.

Internal Hit & Miss: White.

#### In-Situ Drawing



## Technical Data Sheet

### Rytons 150mm Baffled AirCore® with Hit & Miss Ventilator (Light and Draught Reducing)

[www.vents.co.uk](http://www.vents.co.uk) (search code: AC9HM)

April 2010

#### Colour Key



#### Photo Library



#### Specification Paragraph

Manufacturer: Rytons Building Products Ltd  
T: 01536 511874, F: 01536 310455, E: admin@rytons.com  
Visit our website at [www.vents.co.uk](http://www.vents.co.uk)

Product ref:

- Rytons 150mm Baffled AirCore® with Hit & Miss Ventilator White (ref AC9HMMWH)
- Rytons 150mm Baffled AirCore® with Hit & Miss Ventilator Terracotta (ref AC9HMTC)
- Rytons 150mm Baffled AirCore® with Hit & Miss Ventilator Buff/Sand (ref AC9HMBS)

Type: Core Ventilator with Internal and External Grilles

Equivalent Area: 5219mm<sup>2</sup> (BRE tested)

#### Installation

Drill a hole using a 151mm core drill. Cut tube to length if necessary. Insert tube into hole. Push fit external louvre (screw to the brickwork for extra security). Screw fix internal hit & miss ensuring the vent is fitted so that it can be opened and closed with a 'side to side' movement. Consideration should be given to using Rytons AirCore® Cowl (ABC8) in exposed areas. To avoid discomfort from cold draughts the ventilator should be sited not less than 1.7m above floor level.

#### Extra Features and Benefits

Individually boxed sets for easy identification, handling and efficient installation.

Interlocking components aid correct positioning, alignment and easy installation.

Injection moulded one piece tube makes handling easier and installation quicker.

External water baffle prevents transfer of water across the cavity.

External louvre grille embossed with DO NOT BLOCK.

#### UK Regulations, Standards and Guidelines

The Building Regulations 2000, Approved Document F 2006 edition.  
The Building (Scotland) Regulations 2007, Mandatory Standard 3.14.  
The Building Regulations (Northern Ireland) 2000, Technical Booklet K.  
British Standard BS 5250:2002.

#### A bit about the BRE

The Building Research Establishment Ltd is a respected independent testing authority. Since 2006 Rytons has commissioned the BRE to calculate the equivalent free area of their heat producing appliance and background ventilators giving installers, suppliers and homeowners the confidence that the air space is **accurate** and **verifiable**.

#### Handling Information

Box quantity: 1 set.

Box size: 44cm (W) x 19cm (H) x 22.5cm (D).

Box weight: 0.81kg.

#### Questions

**Is a cowed option available for exposed areas?**

Yes, refer to technical data sheet AC9HMCW.

**Is an acoustic option available?**

Yes, refer to technical data sheets AAC625HM and AAC635HM.



Please recycle printouts where facilities exist.

