

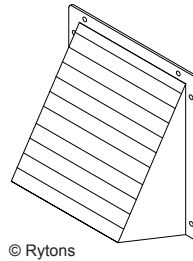
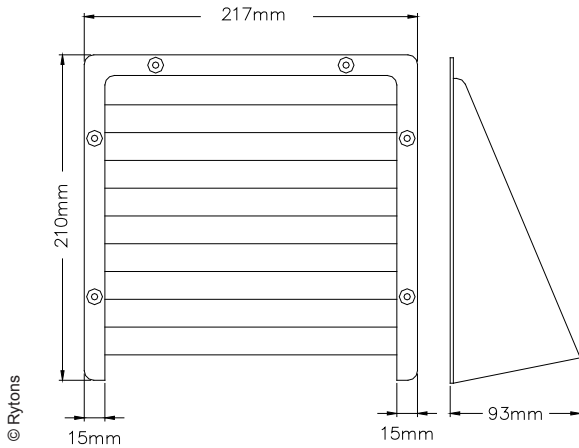
## Technical Data Sheet

### Rytons AirCore® Cowl '8x8½'

[www.vents.co.uk](http://www.vents.co.uk) (search code: ABC8)

April 2010

#### Photo Library



#### Colour Key



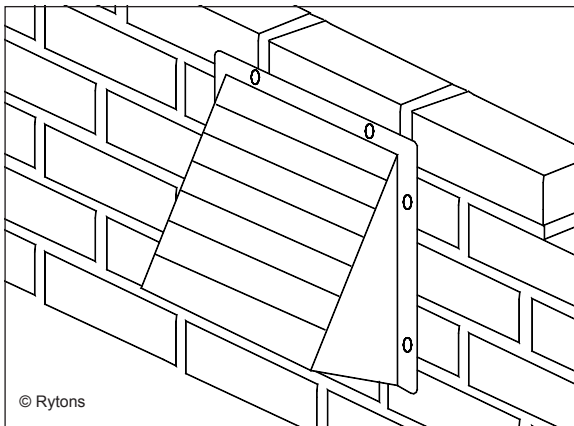
© Rytons

#### Main Uses, Features and Benefits

- Surface mounted cover for openings, air bricks, grilles and vents.
- Protects against excessive weather conditions.
- Alleviates air blasts through the cavity.
- Textured roughcast finish.
- U.V. stabilised to protect against deterioration by sunlight.
- Compatible with Rytons AirCore® range.



#### In-Situ Line Drawing



© Rytons

Product Specification Code	Free Area
Rytons ABC8	16000mm <sup>2</sup> (160cm <sup>2</sup> ) (24¾"²) per unit

#### Size

217mm (L) x 210mm (H) x 93mm (D).  
AutoCAD drawing available by email.

#### Composition

U.V. stabilised high impact polystyrene.

#### Colours

Terracotta, buff/sand, white.

#### Specification Paragraph

Manufacturer: Rytons Building Products Ltd  
T: 01536 511874, F: 01536 310455, E: admin@rytons.com  
Visit our website at [www.vents.co.uk](http://www.vents.co.uk)  
Product ref:

- Rytons AirCore® Cowl '8x8½' Terracotta (ref ABC8TC)
- Rytons AirCore® Cowl '8x8½' Buff/Sand (ref ABC8BS)
- Rytons AirCore® Cowl '8x8½' White (ref ABC8WH)

#### Installation

Fix to the brickwork through the pre-formed holes in the flange.

#### Important Note

Check free air space of Rytons ABC8 exceeds air space required by covered grille, ventilator and fan etc.

#### Handling Information

Box quantity: 10 number.  
Box size: 32cm (W) x 21cm (H) x 30cm (D).  
Box weight: 1.35kg.

## Questions

#### Can the cowl be painted?

We do not recommend painting Rytons ABC8 however this product is available to order in non-standard colours, choosing from either a Rytons colour or supplying a RAL number. For further information ask about Rytons colour matching service.

#### Photo Library



Terracotta, Buff/Sand, White

© Rytons



Please recycle printouts where facilities exist.

