

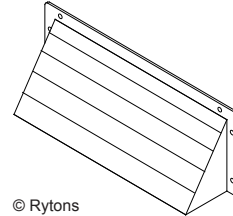
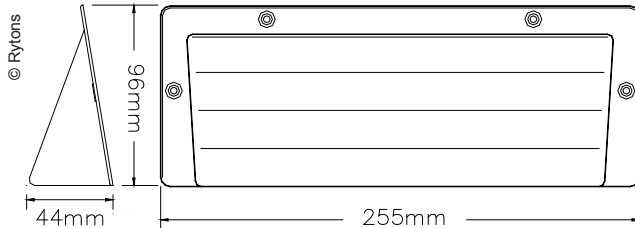
## Technical Data Sheet

### Rytons Cowl '9x3'

[www.vents.co.uk](http://www.vents.co.uk) (search code: ABC3)

April 2010

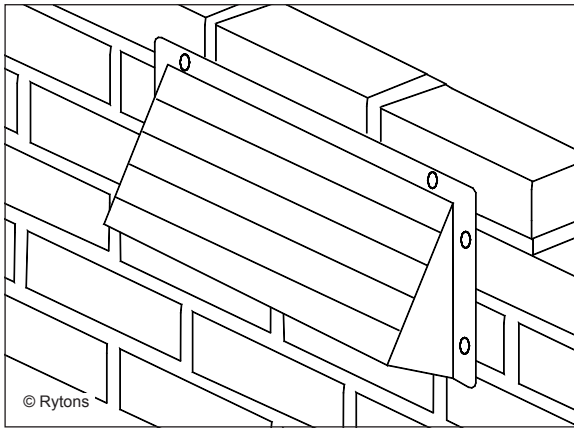
#### Dimensional Drawing



#### Approvals and Testing



#### In-Situ Line Drawing



#### Main Uses, Features and Benefits

- Surface mounted cover for openings, air bricks, grilles and vents.
- Protects against excessive weather conditions.
- Alleviates air blasts through the cavity.
- Textured roughcast finish.
- U.V. stabilised to protect against deterioration by sunlight.



Product Specification Code	Free Area
Rytons ABC3	8700mm <sup>2</sup> (87cm <sup>2</sup> ) (13¼"²) per unit

#### Size

255mm (L) x 96mm (H) x 44mm (D).  
AutoCAD drawing available by email.

#### Composition

U.V. stabilised high impact polystyrene.

#### Colours

Terracotta, buff/sand.

#### Specification Paragraph

Manufacturer: Rytons Building Products Ltd  
T: 01536 511874, F: 01536 310455, E: admin@rytons.com  
Visit our website at [www.vents.co.uk](http://www.vents.co.uk)

#### Product ref:

- Rytons Cowl '9x3' Terracotta (ref ABC3TC to BBA 94/3071)
- Rytons Cowl '9x3' Buff/Sand (ref ABC3BS to BBA 94/3071)

#### Installation

Fix to the brickwork through the pre-formed holes in the flange.

#### Important Note

Check free air space of Rytons ABC3 exceeds the air space required by the covered opening, air brick, grille or vent.

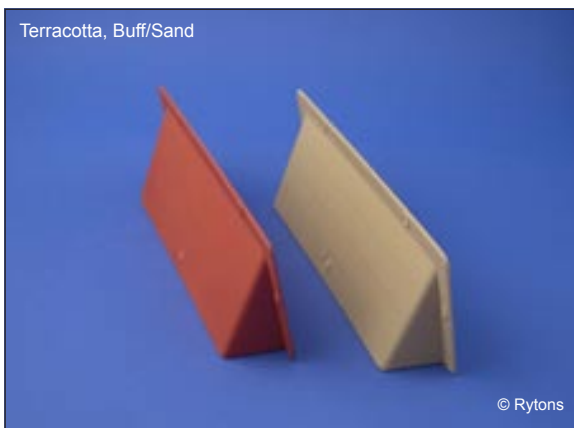
#### BBA Approval

Rytons has 73 British Board of Agrément approved products; the largest range on the market. BBA certification is third party evaluation and accreditation, and approved products are accepted by building control officers, architects, engineers and surveyors nationwide. The NHBC also accept products approved by the BBA when used as stated in the relevant BBA certificate. Rytons also has an Irish Building Regulation Statement for each of their three BBA certificates.

#### Handling Information

Box quantity: 10 number.  
Box size: 26cm (W) x 22.5cm (H) x 15cm (D).  
Box weight: 0.6kg.

#### Photo Library



## Questions

### Can the cowl be painted?

We do not recommend painting Rytons ABC3 however this product is available to order in non-standard colours, choosing from either a Rytons colour or supplying a RAL number. For further information ask about Rytons colour matching service.

#### Colour Key



Please recycle printouts where facilities exist.



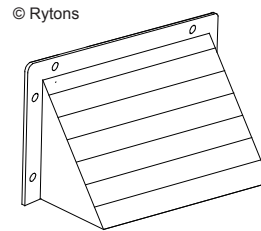
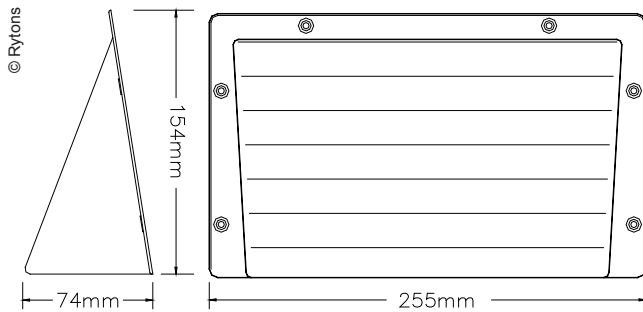
## Technical Data Sheet

### Rytons Cowl '9x6'

[www.vents.co.uk](http://www.vents.co.uk) (search code: ABC6)

April 2010

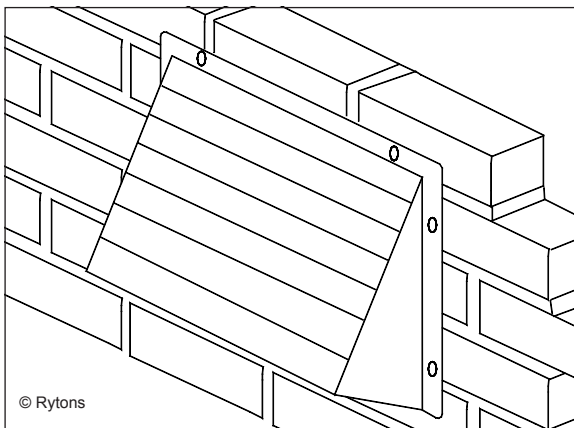
#### Dimensional Drawing



#### Approvals and Testing



#### In-Situ Line Drawing



#### Main Uses, Features and Benefits

- Surface mounted cover for openings, air bricks, grilles and vents.
- Protects against excessive weather conditions.
- Alleviates air blasts through the cavity.
- Textured roughcast finish.
- U.V. stabilised to protect against deterioration by sunlight.



Product Specification Code	Free Area
Rytons ABC6	16000mm <sup>2</sup> (160cm <sup>2</sup> ) (24¾"²) per unit

#### Size

255mm (L) x 154mm (H) x 74mm (D).  
AutoCAD drawing available by email.

#### Composition

U.V. stabilised high impact polystyrene.

#### Colours

Buff/sand, terracotta, white.

#### Specification Paragraph

Manufacturer: Rytons Building Products Ltd  
T: 01536 511874, F: 01536 310455, E: admin@rytons.com  
Visit our website at [www.vents.co.uk](http://www.vents.co.uk)

#### Product ref:

- Rytons Cowl '9x6' Buff/Sand (ref ABC6BS to BBA 94/3071)
- Rytons Cowl '9x6' Terracotta (ref ABC6TC to BBA 94/3071)
- Rytons Cowl '9x6' White (ref ABC6WH to BBA 94/3071)

#### Installation

Fix to the brickwork through the pre-formed holes in the flange.

#### Important Note

Check free air space of Rytons ABC6 exceeds the air space required by the covered opening, air brick, grille or vent.

#### Photo Library



## Technical Data Sheet

### Rytons Cowl '9x6'

[www.vents.co.uk](http://www.vents.co.uk) (search code: ABC6)

April 2010

#### Colour Key



#### BBA Approval

Rytons has 73 British Board of Agrément approved products; the largest range on the market. BBA certification is third party evaluation and accreditation, and approved products are accepted by building control officers, architects, engineers and surveyors nationwide. The NHBC also accept products approved by the BBA when used as stated in the relevant BBA certificate. Rytons also has an Irish Building Regulation Statement for each of their three BBA certificates.

#### Handling Information

Box quantity: 14 number.

Box size: 35cm (W) x 26cm (H) x 23cm (D).

Box weight: 1.4kg.

#### Questions

##### Can the cowl be painted?

We do not recommend painting Rytons ABC6 however this product is available to order in non-standard colours, choosing from either a Rytons colour or supplying a RAL number. For further information ask about Rytons colour matching service.



Please recycle printouts where facilities exist.



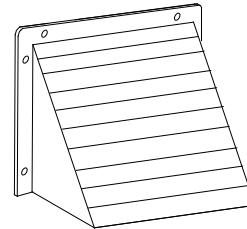
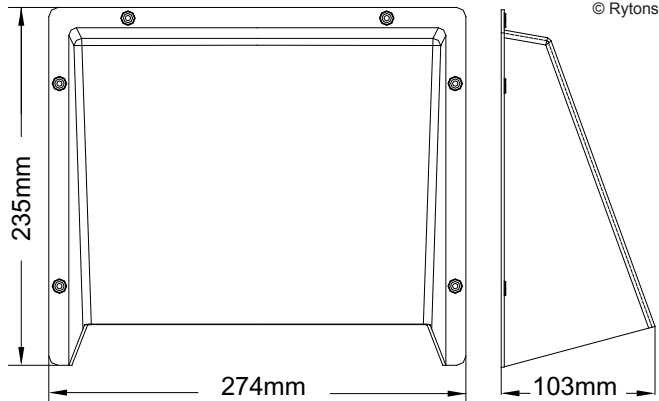
## Technical Data Sheet

### Rytons Cowl '9x9'

[www.vents.co.uk](http://www.vents.co.uk) (search code: ABC9)

April 2010

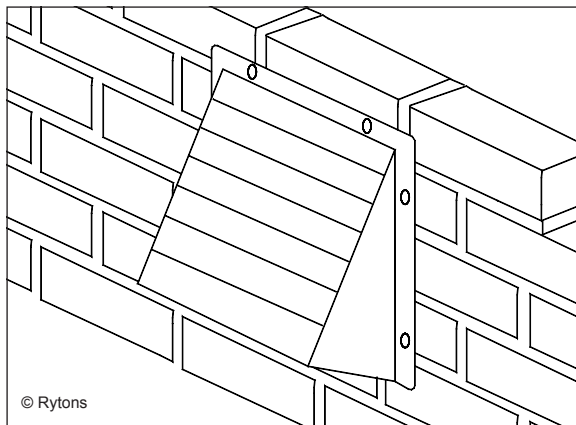
#### Dimensional Drawing



#### Colour Key



#### In-Situ Line Drawing



#### Main Uses, Features and Benefits

- Surface mounted cover for openings, air bricks, grilles and vents.
- Protects against excessive weather conditions.
- Alleviates air blasts through the cavity.
- Textured roughcast finish.
- U.V. stabilised to protect against deterioration by sunlight.



Product Specification Code	Free Area
Rytons ABC9	23900mm <sup>2</sup> (239cm <sup>2</sup> ) (37"²) per unit

#### Size

274mm (L) x 235mm (H) x 103mm (D).  
AutoCAD drawing available by email.

#### Composition

U.V. stabilised high impact polystyrene.

#### Colours

White, terracotta, buff/sand.

#### Specification Paragraph

Manufacturer: Rytons Building Products Ltd  
T: 01536 511874, F: 01536 310455, E: admin@rytons.com

Visit our website at [www.vents.co.uk](http://www.vents.co.uk)

Product ref:

- Rytons Cowl '9x9' White (ref: ABC9WH)
- Rytons Cowl '9x9' Terracotta (ref ABC9TC)
- Rytons Cowl '9x9' Buff/Sand (ref ABC9BS)

#### Installation

Fix to the brickwork through the pre-formed holes in the flange.

#### Important Note

Check free air space of Rytons ABC9 exceeds the air space required by the covered opening, air brick, grille or vent.

#### Handling Information

Box quantity: 10 number.

Box size: 32cm (W) x 21cm (H) x 30cm (D).

Box weight: 2.14kg.

#### Photo Library



Please recycle printouts where facilities exist.

